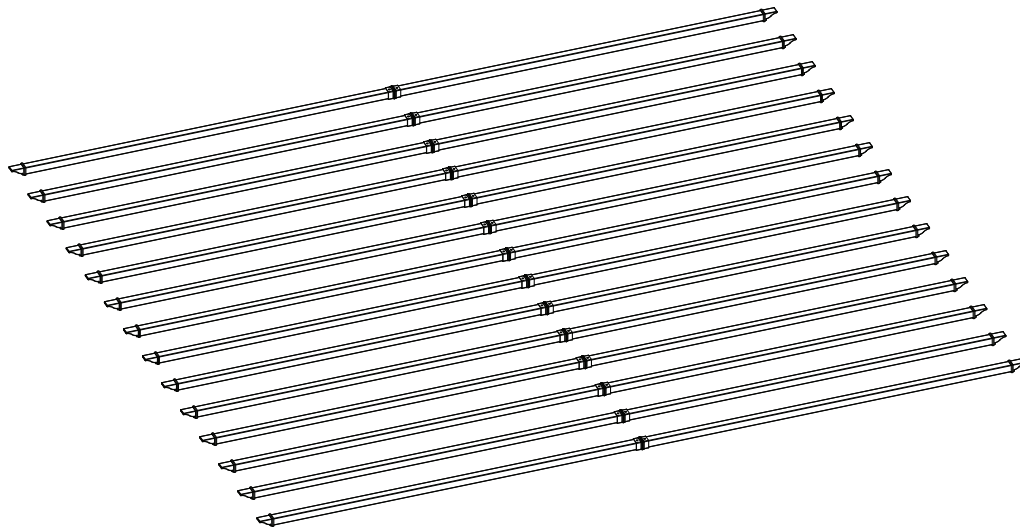


ASSEMBLY INSTRUCTIONS

12 x 12 Additional Shade Slat Kit



The 12 x 12 Additional Shade Slat Kit is designed to compliment our 12' x 12' Regency, Roosevelt, Freemont, and Kennedy Pergolas. This kit is intended to be installed simultaneously with the pergola although retroactive installation is also an option.

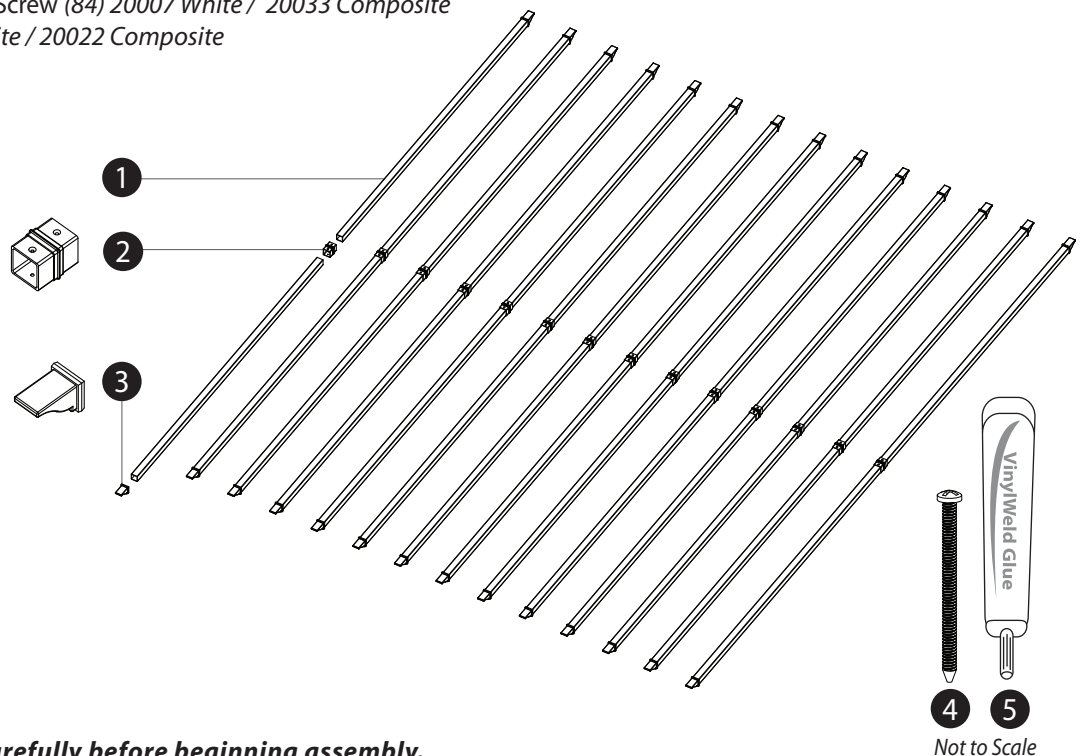
Please read through before starting assembly.

IMPORTANT: CHECK THE INSIDE OF YOUR EXTRUSIONS FOR ALL MATERIALS.

Check Box for These Contents

In the event of missing or defective parts please call our customer service department **1 800 282 9346** (Mon. to Fri. 8:00 AM to 4:00 PM EST).

1. Shade Slat (28) 1 1/2" x 1 1/2" x 75 7/8" - 10819 White / 14035 Composite
2. Shade Slat Joiner (14) - 10600-1 White / 14028 Composite
3. Shade Slat Decorative End Caps (28) - 30030-1 White / 14032 Composite
4. 3" Self-Auguring Stainless Steel Screw (84) 20007 White / 20033 Composite
5. Tube of vinyl glue (2) 20000 White / 20022 Composite



Tools You Will Need

- Cordless Drill
- Tape Measure

General Information

- **Read Instructions through carefully before beginning assembly.**
- When assembling components, place on a non-abrasive surface (i.e. shipping box) to avoid scratching.
- We recommend an area approx 5' x 8' for unobstructed assembling.
- You should not need to use excessive force when assembling component.

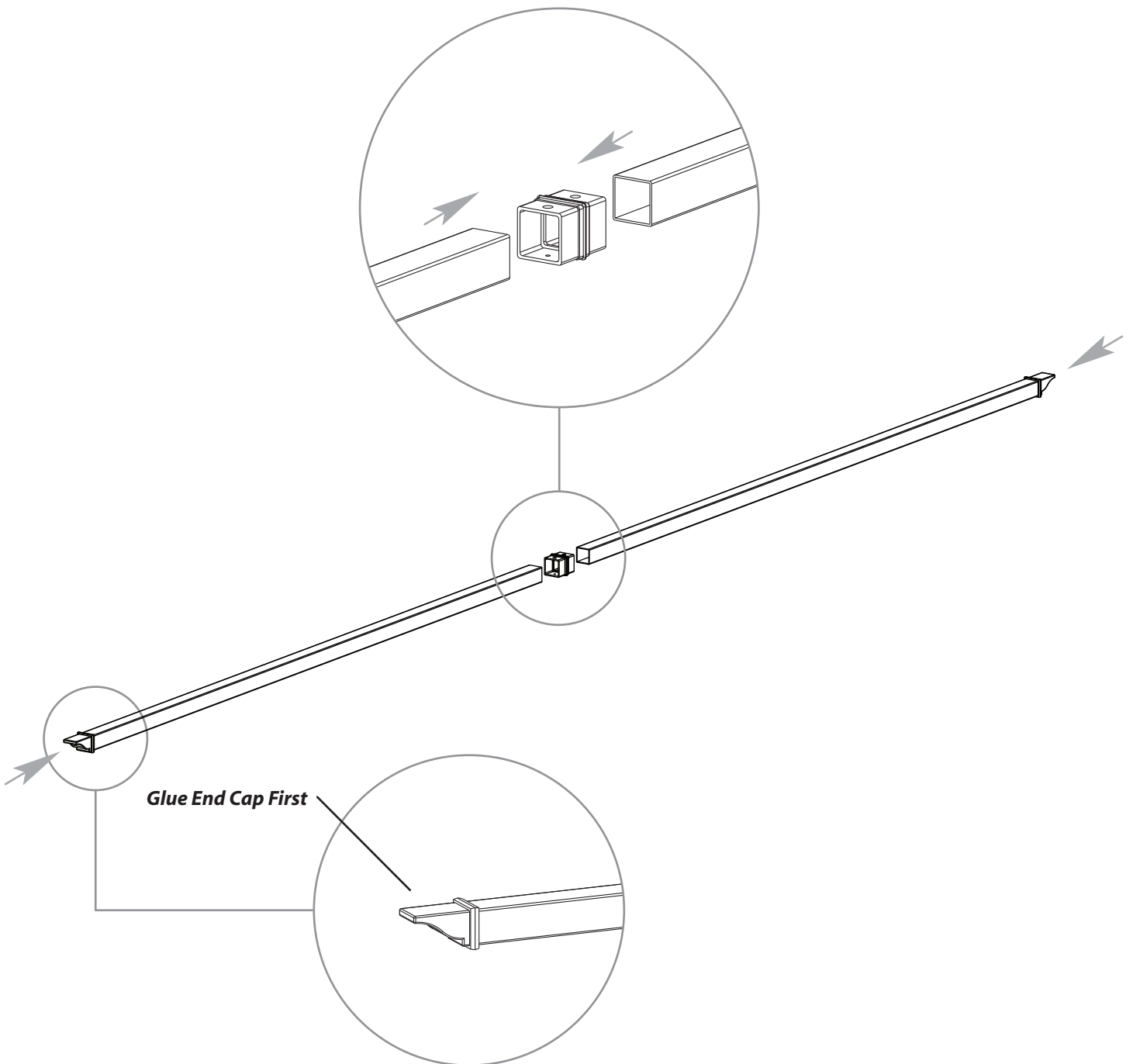
STEP ONE

Shade Slat Assembly

1

Assemble shade slats by first gluing the decorative end caps as shown, and then inserting the two slats into one joiner.

Push firmly until extrusion bottoms out inside joiner. **No screws are necessary.**



STEP TWO

Shade Slats Installation

1

Follow the pergola instructions until just before the shade slat installation.

At this point, 28 shade slats are assembled (i.e. 14 from the pergola kit and 14 from this additional shade slat kit). Install the first shade slat up against the columns and install the rest of the shade slats at 3 3/8in (8.7cm) spacing.

2

Proceed with the remainder of the steps, including fastening 3in screws through the shade slats and into the rafters.

Note: If the additional shade kit is installed retroactively, simply place one shade slat assembly in between two shade slats. Only 13 shade slats will be used in this case.

