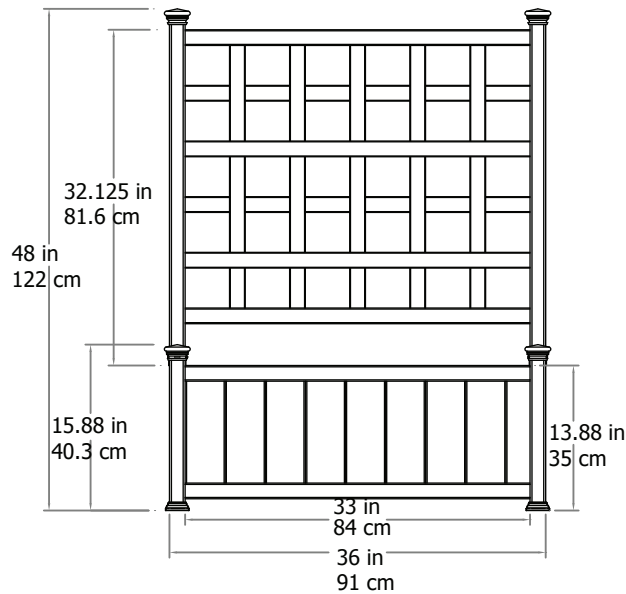
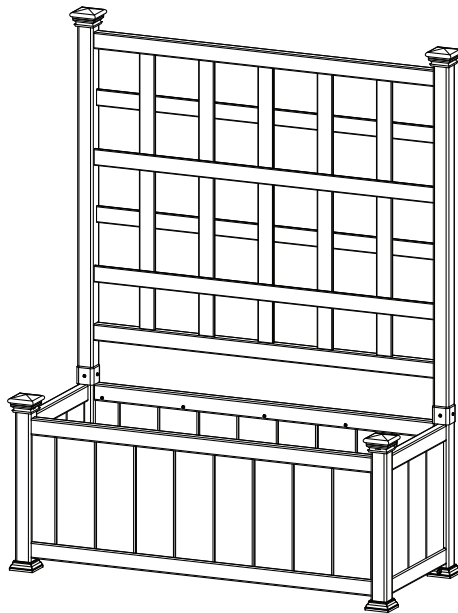


ASSEMBLY INSTRUCTIONS

Huron Planter With Trellis

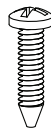
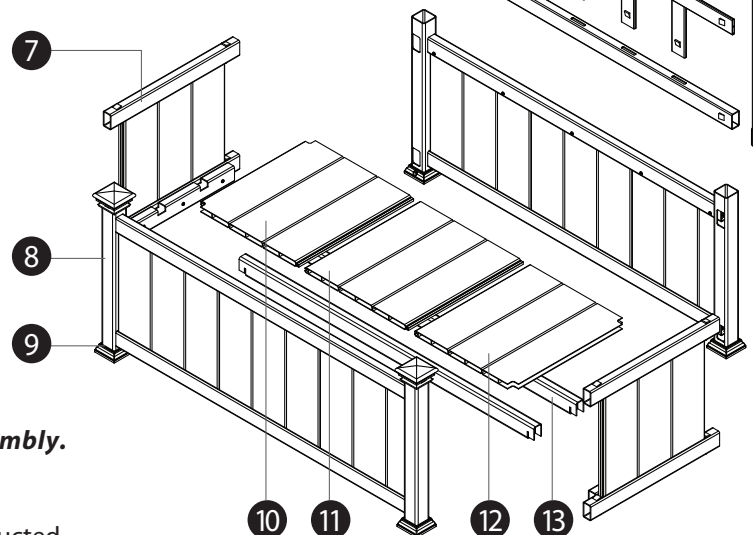
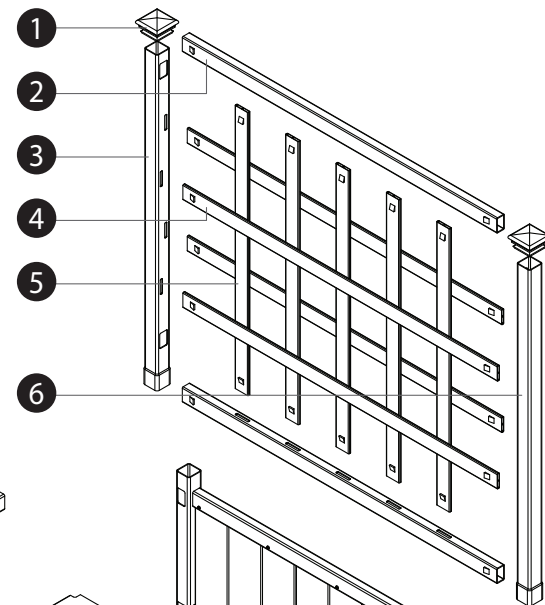


Please read through before starting assembly.

Check Box for These Contents

In the event of missing or defective parts please call our customer service dept. at **1 800 282 9346** (Mon. to Fri. 8:00 AM to 4:00 PM EST).
UK Tel: **(44) 2038 687160** (Mon. to Fri. 1:00 PM to 10:00 PM GMT).

1. Post Caps (4) - 10810
2. Trellis Top and Bottom Rails (2) - 11089
3. Trellis Left Post (1) - 11090
4. Trellis Horizontal Slats (4) - 11091
5. Trellis Vertical Slats (5) - 11092
6. Trellis Right Post (1) - 11093
7. Pre-Assembled Side Panels (2) - 11094
8. Pre-Assembled Front & Back Wall Panels with Posts Connected (2) - 11097
9. Planter Box Post Trims (4) - 10730-1
10. Floor - Left (1) - 11098
11. Floor - Middle (1) - 11099
12. Floor - Right (1) - 11100
13. Floor Supports (2) - 11101
14. 5/8" (1.6 cm) Self-Augering Stainless Steel Screws (12) - 20016



Not to scale

Tools You Will Need

- Cordless Drill

General Information

- Read Instructions through carefully before beginning assembly.
- When assembling components, place on a non-abrasive surface (i.e. shipping box) to avoid scratching.
- We recommend an area approx 4'x 8' for (1.2 m x 2.4 m) unobstructed assembling.
- You should not need to use excessive force when assembling

STEP ONE

Assemble the Planter Box

1

Place the pre-assembled back panel on its side as shown and insert the two pre-assembled side panels. Note the location of the rail support and the top and bottom of the back panel.

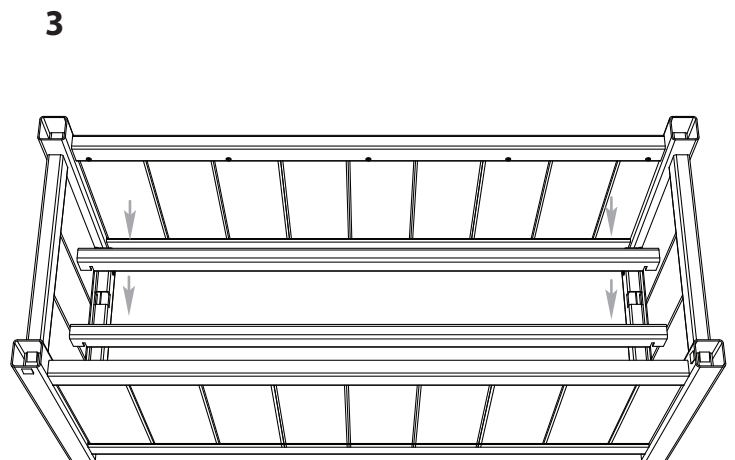
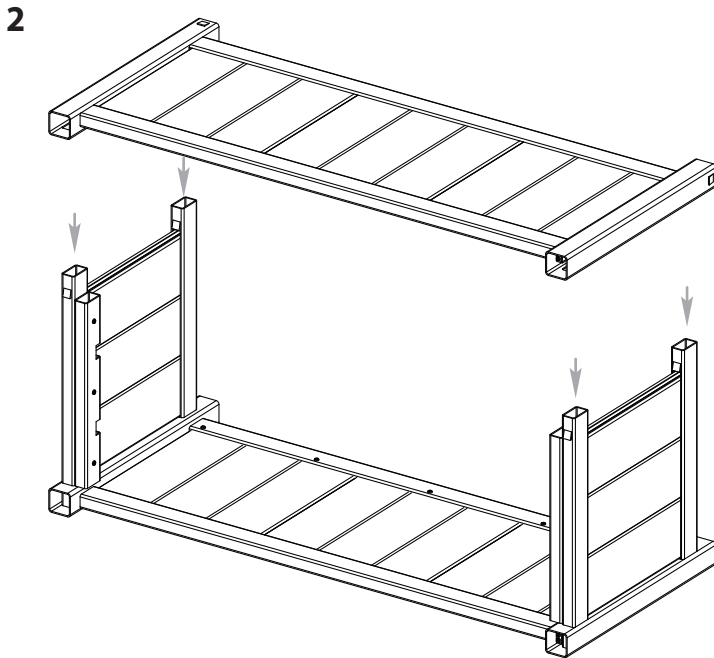
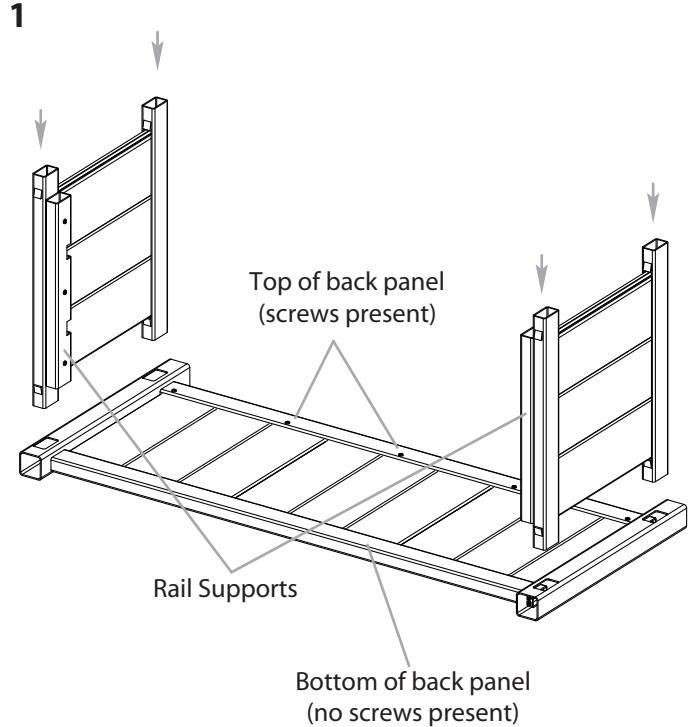
Push until the tabs on the pre-assembled side panel rails lock into place.

2

Add a second pre-assembled front panel as shown and push until the side panel rails lock into place.

3

Stand the planter box right side up and insert the two floor supports as shown. The notches at both ends should slide into the notches on the side panel supports.



STEP TWO

Insert Floor Panels

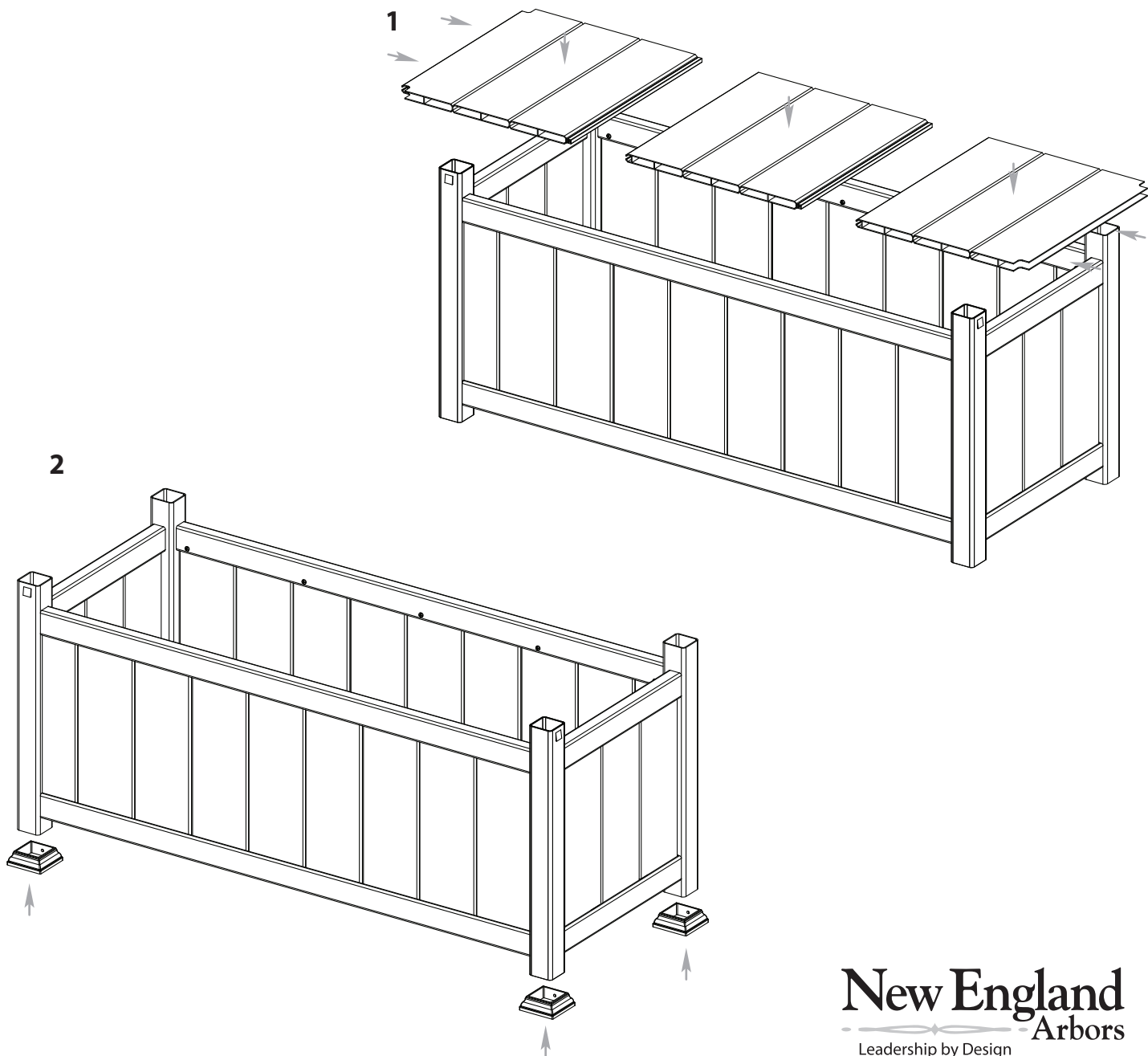
1

Connect the tongue-and-groove boards together as shown and place onto the support rails inside the planter box.

2

Lift one post at a time and insert the post trims as shown.

Note: the post trims have pre-drilled holes to allow the planter to be secured to the surface with screws (purchase separately from your local hardware store)



New England
Arbors
Leadership by Design

STEP THREE

Assemble the Trellis

New England
Arbors
Leadership by Design

1

Insert the five vertical slats into the top and bottom trellis rails as shown. Once inserted, the slats will lock into place.

2

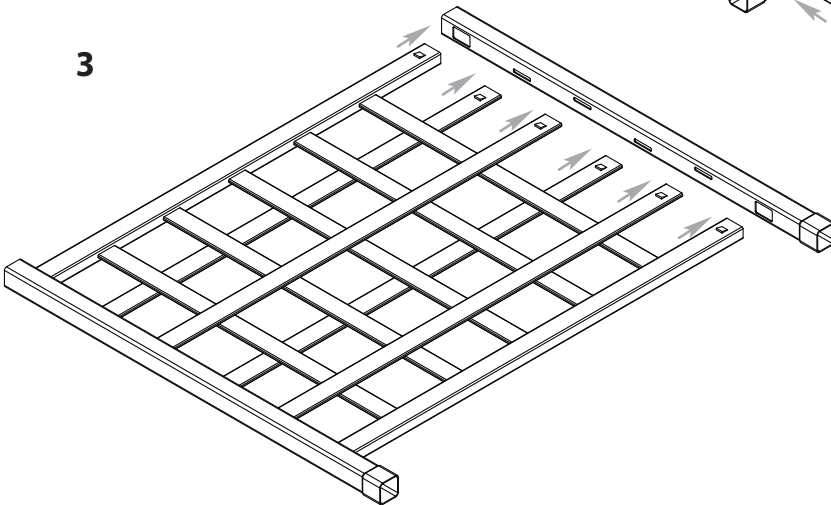
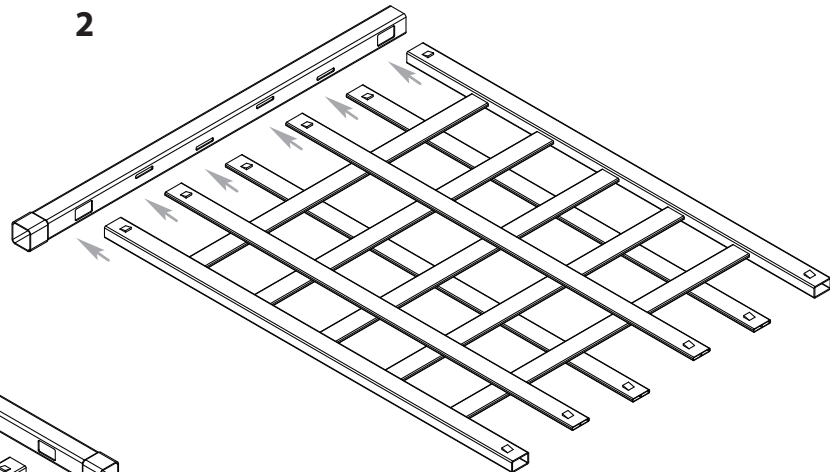
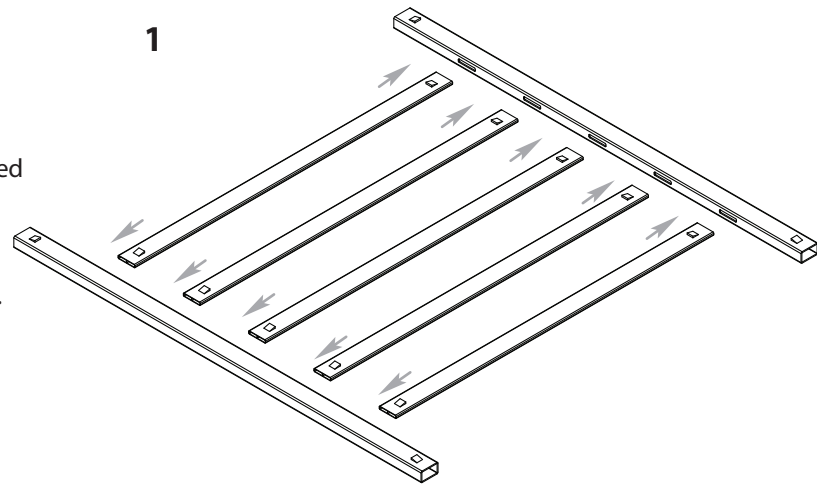
Align and insert the assembly from the previous step into one of the trellis post as shown. Four horizontal slats should also be inserted at this point.

3

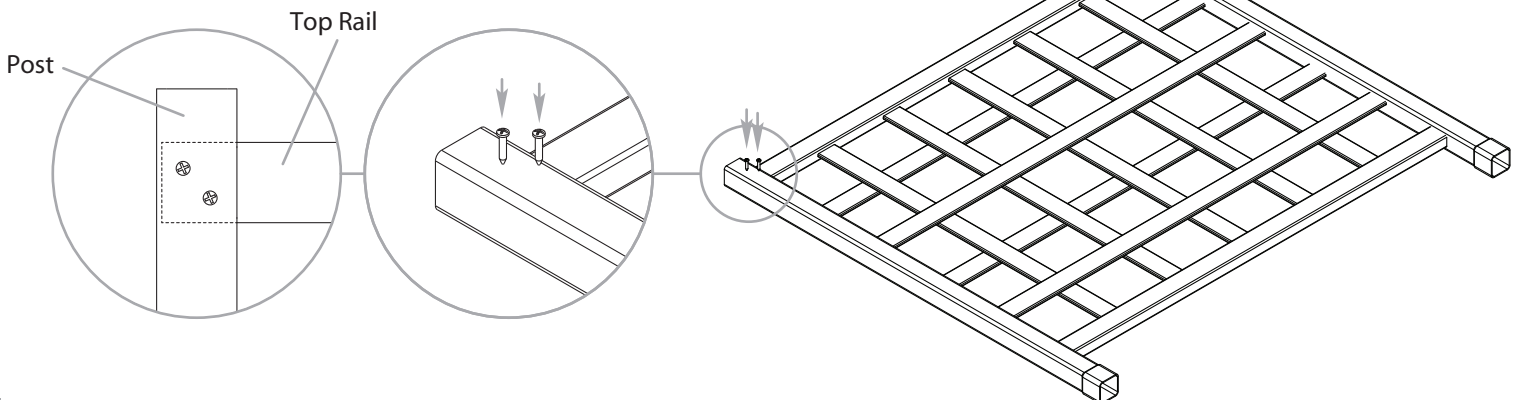
Align and insert the second trellis post to complete the assembly.

4

Fasten the trellis using four of the provided screws; two at each location where the top rail meets the posts as shown.



4



STEP FOUR

Final Assembly & Post Caps Installation

New England
Arbors
Leadership by Design

1

Place the trellis assembly onto the planter box.

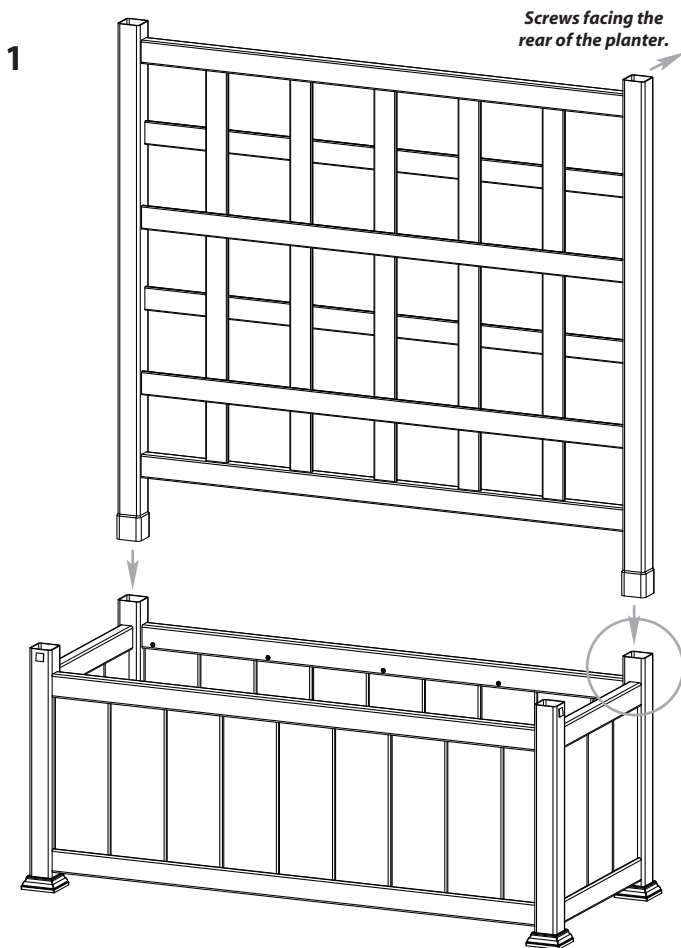
Note: insert the trellis onto the posts without locking tabs and have the screws facing the rear of the planter.

2

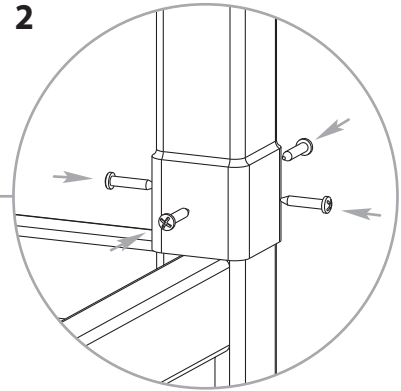
Fasten the trellis in place using a total of eight screws, four per post from all four sides as shown.

3

Insert the four post caps into place as shown.



2



3

