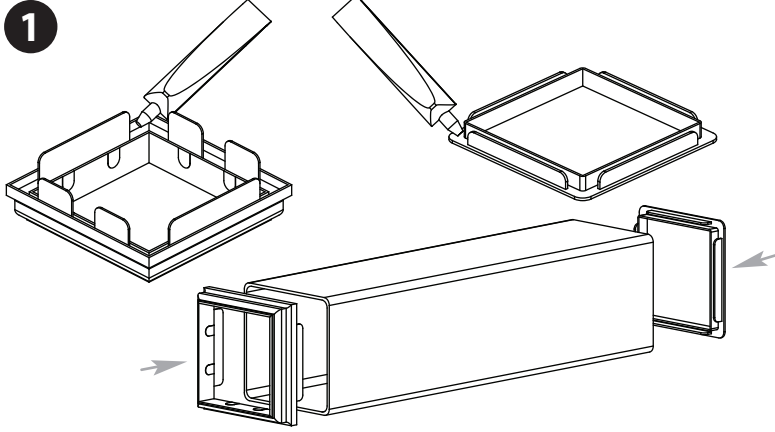




## STEP ONE

### Base Molding Assembly

Apply a generous amount of vinyl glue to the underside of the base molding and the top side of the base molding bottom insert and attach to the base molding post as shown aside.



## STEP TWO

### Lamp Post Assembly

**A**

Slide the post collar down measuring 12 inches (30 cm) from the top of the post. Once desired height is achieved, make a note of the position of the collar.

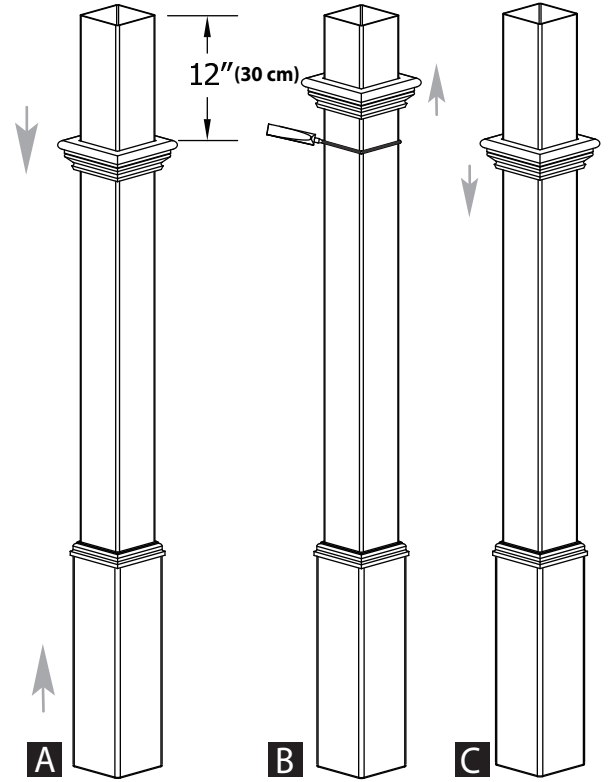
**B**

Slide the collar **UP** and out of the way, then apply a generous amount of vinyl glue at the top of where the collar would sit.

**C**

Slide the collar back down to its desired height and allow some time for the vinyl glue to set and cure.

**2**



## STEP THREE

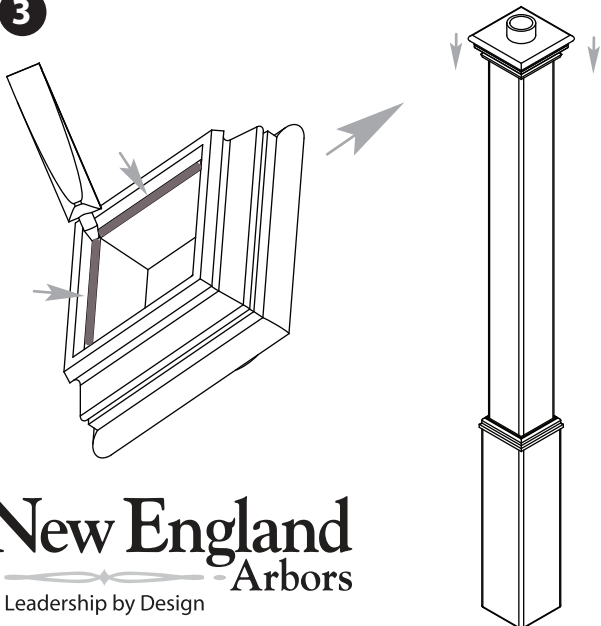
Apply a generous amount of vinyl glue to the inside base of the post cap and place over the top end of the lamp post as illustrated.

## STEP FOUR

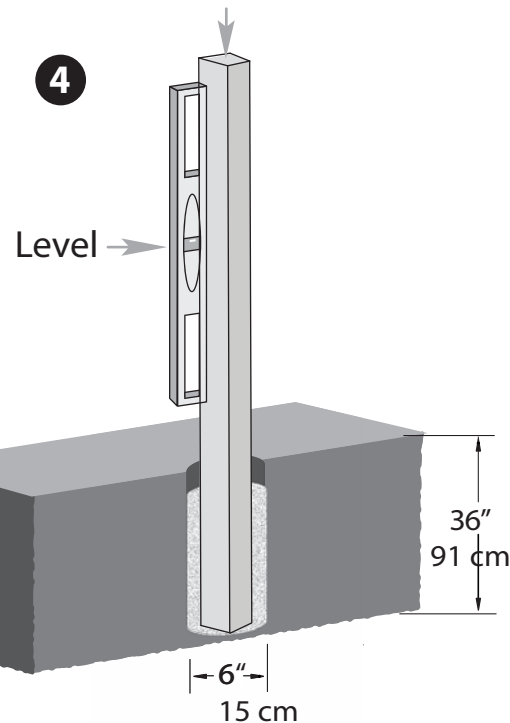
### Wood Post Installation

Dig 36 in. (91 cm) deep hole in the desired location. Verify the depth of the hole to ensure that the 4x4 (10 cm x 10 cm) wood post will be buried 36 in. (91 cm) into the ground. Fill the hole 3/4 full with pre-mix concrete (not included). Insert the post into the concrete and check for level. Allow time for the concrete to set, then fill in the remainder of the hole.

**3**



**4**



**New England**  
Arbors  
Leadership by Design

# Lamp Post Installation

## STEP FIVE

### Lamp Post Installation

**A**

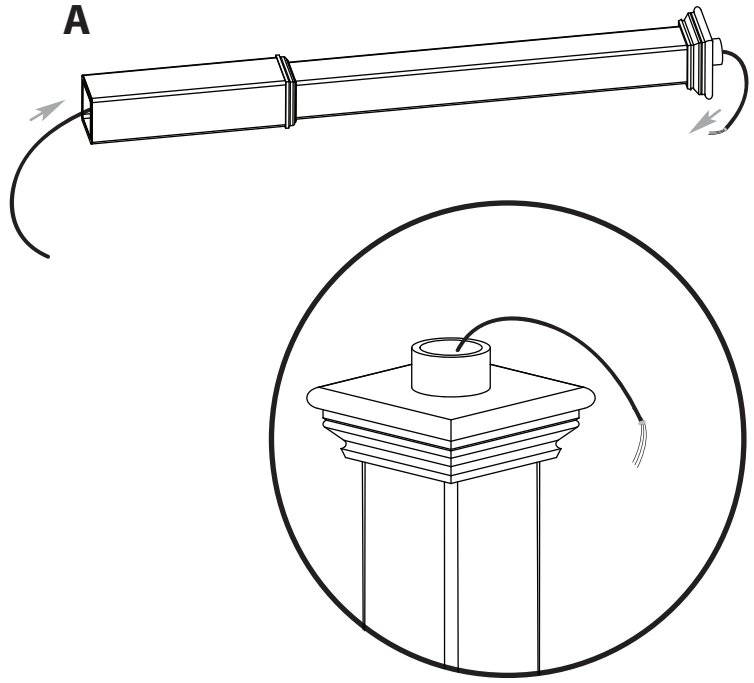
If necessary, pre-wire the lamp by running the wire inside the cavity of the post through the universal 3 in. (8 cm) collar. If installing a solar lamp, disregard this step.

**B**

Slide the lamp post assembly over the wood post.

**C**

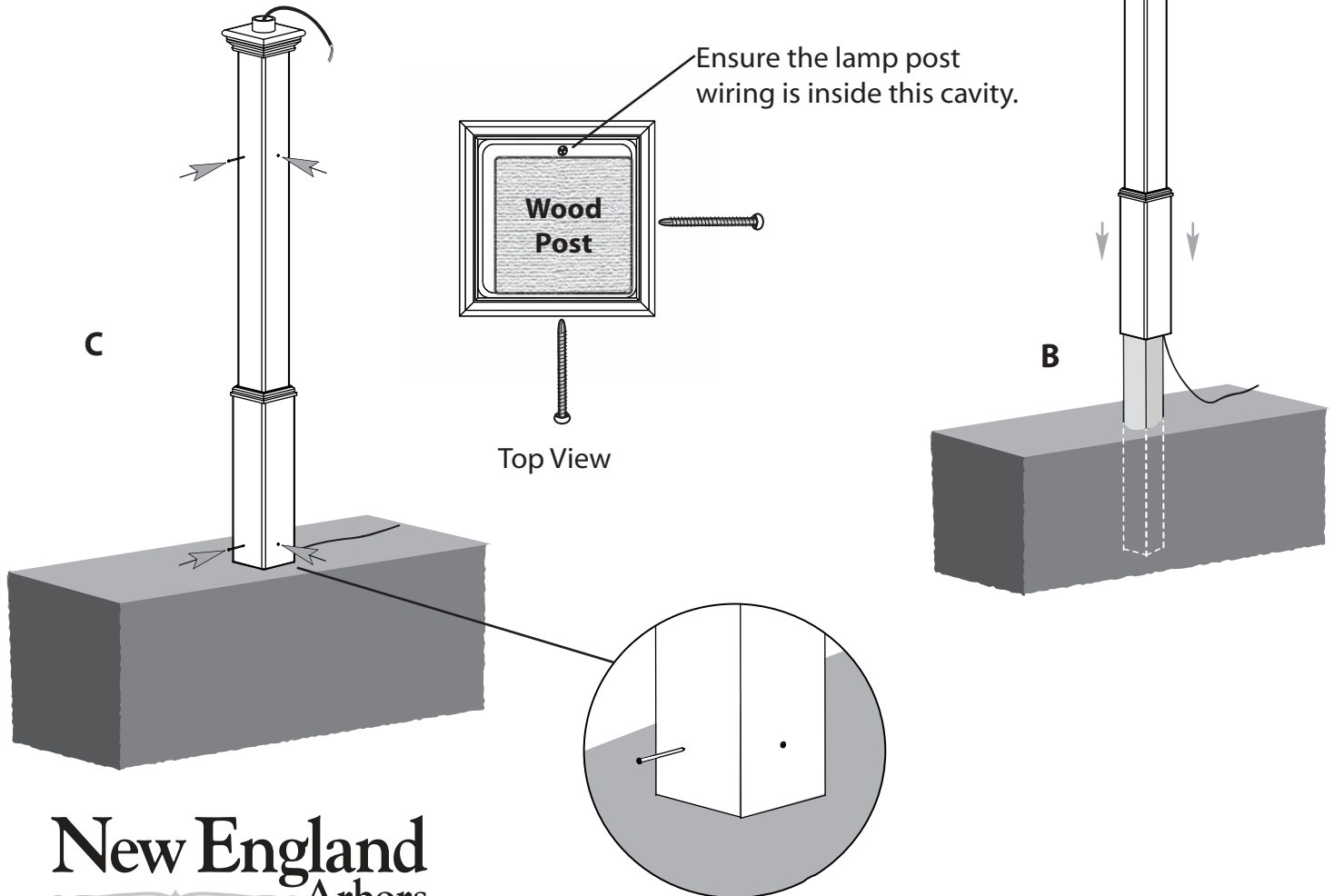
Line up the one corner of the vinyl post up against the wood post and fasten the two touching sides with the provided screws.



## STEP SIX

### Installing Lamp

Follow the instructions included with the lamp (purchased separately) and secure it to the round collar on top of the post. You may need to modify how it attaches to the collar.



**New England**  
Arbors  
Leadership by Design

[www.newenglandarbors.com](http://www.newenglandarbors.com)  
[www.newenglandarbors.co.uk](http://www.newenglandarbors.co.uk)

North America Toll Free Phone: 1 800 282 9346  
United Kingdom Tel: (44) 2038 687160