

# ASSEMBLY INSTRUCTIONS

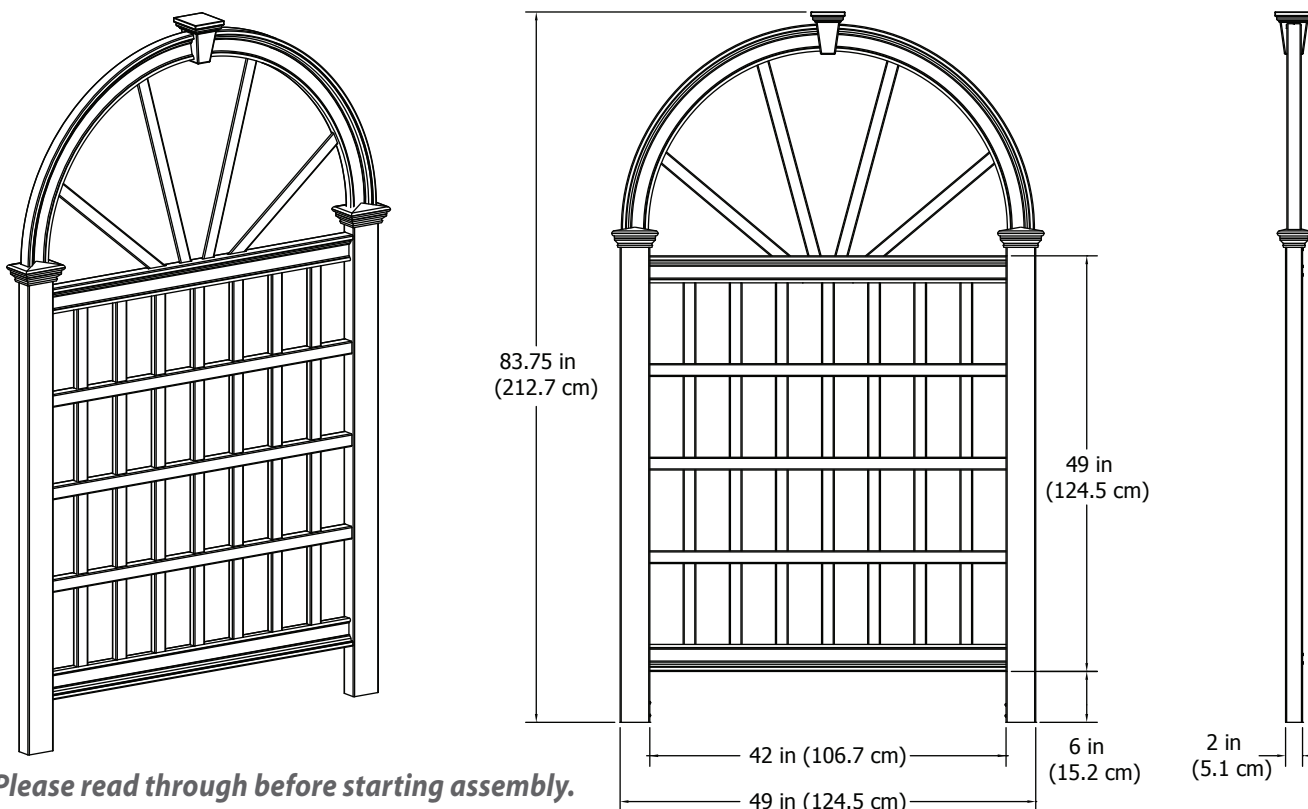
**New England**  
Arbors

Leadership by Design

www.newenglandarbors.com

www.newenglandarbors.co.uk

## The Vienna Trellis



*Please read through before starting assembly.*

**IMPORTANT: CHECK THE INSIDE OF YOUR POSTS FOR ALL MATERIALS.**

### Check Box for These Contents

In the event of missing or defective parts please call our customer service dept. at

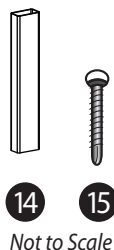
**1 800 282 9346** (Mon. to Fri. 8:00 AM to 4:00 PM EST).

(UK Tel: **(44) 2038 687160** (Mon. to Fri. 1:00 PM to 10:00 PM GMT).

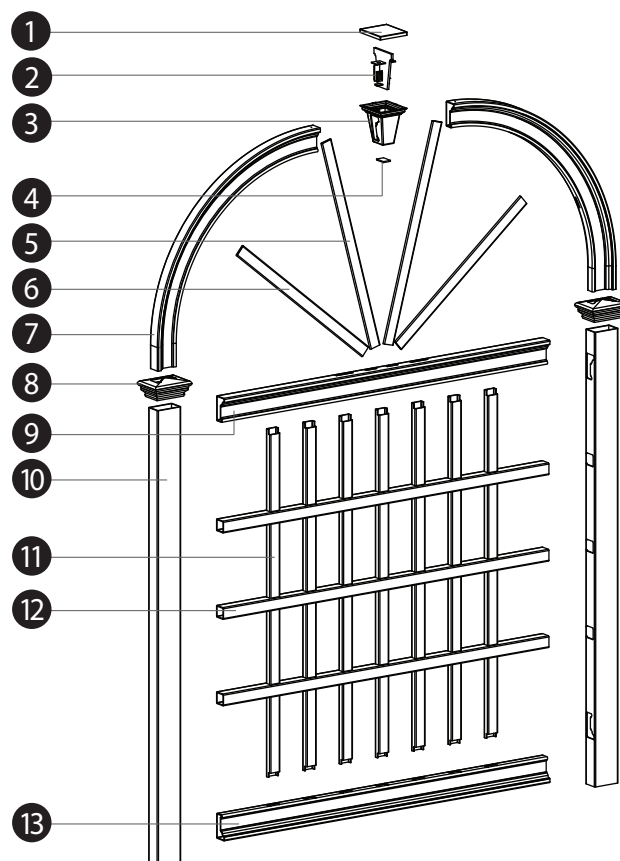
1. Keystone Lid (1) - 10668-1
2. Keystone Insert (1) - 10837
3. Keystone Body (1) - 10836
4. Keystone Bottom Plate (1) - 10666-1
5. Arch Spindle - Long (2) - 10878
6. Arch Spindle - Short (2) - 10879
7. Arches (2) - Left 10880, Right 10881
8. Post Caps (2) - Left 10673-1, Right 10674-1
9. Top Rail (1) - 10882
10. Posts (2) - Left 10883, Right 10884
11. Vertical Spindles (7) - 10885
12. Horizontal Spindles (3) - 10886
13. Bottom Rail (1) - 10887
14. Ground Mounting Extensions (2) - 10888
15. 1 1/2" [38 mm] Self-Auguring Stainless Steel Screws (20) - 20005

### Tools You Will Need

- Cordless Drill
- Hammer
- Tape Measure
- Level
- Shovel



Not to Scale



### General Information

- **Read Instructions through carefully before beginning assembly.**
- When assembling components, place on a non-abrasive surface (*i.e. shipping box*) to avoid scratching.
- We recommend an area approx 5'x 8' (1.5 m x 2.4 m) for unobstructed assembling.
- You should not need to use excessive force when assembling component.

V1.4/072717







