

STEP ONE

1

Lay the Pre-Assembled Side Wall Panel on the floor as shown and align and insert the pre-assembled shelf into the routed hole.

Do the same for the Front and Back Wall Panels as shown.

This is designed to accommodate the attachment of an extension kit (sold separately).

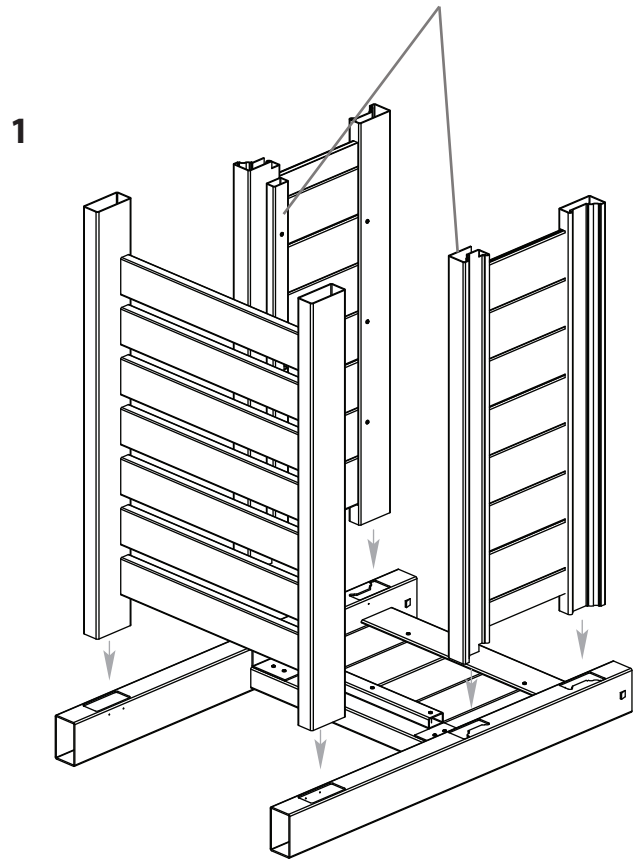
2

Align and insert the second Pre-Assembled Side Wall Panel as shown.

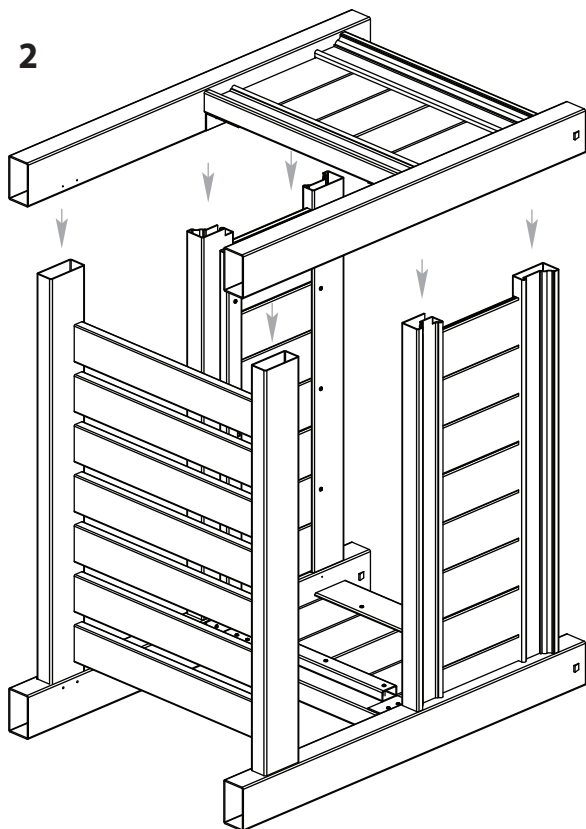
3

Stand the planter box up. Center the shelf within the side panel posts and fasten the shelf rails to the posts using 8 of the 5/8" (1.6 cm) screws provided through the pre-drilled holes as shown.

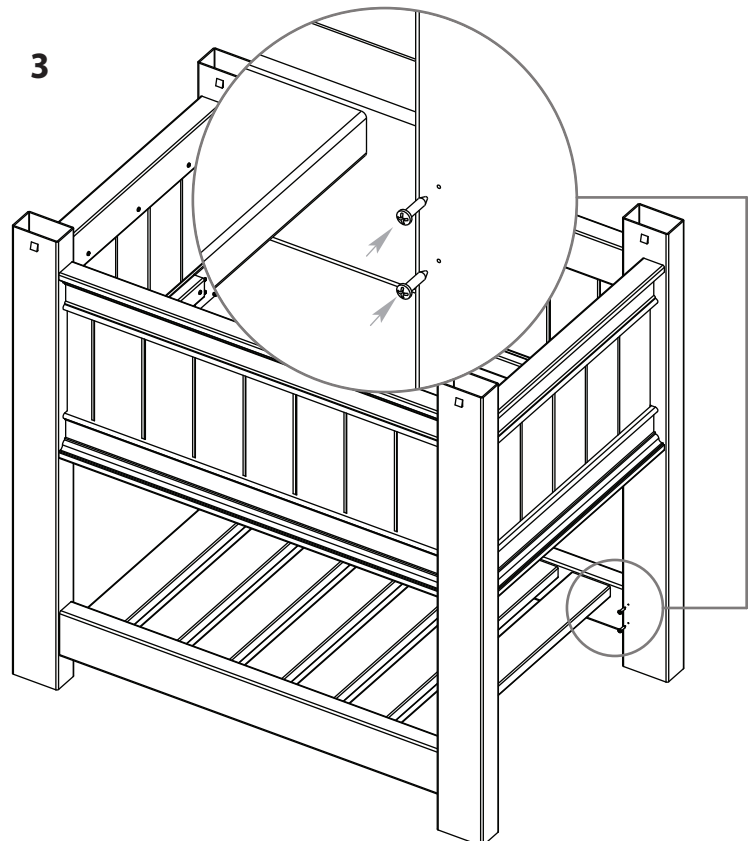
Note Position of Bottom Rails



2



3



New England
Arbors

Leadership by Design

www.newenglandarbors.com

www.newenglandarbors.co.uk

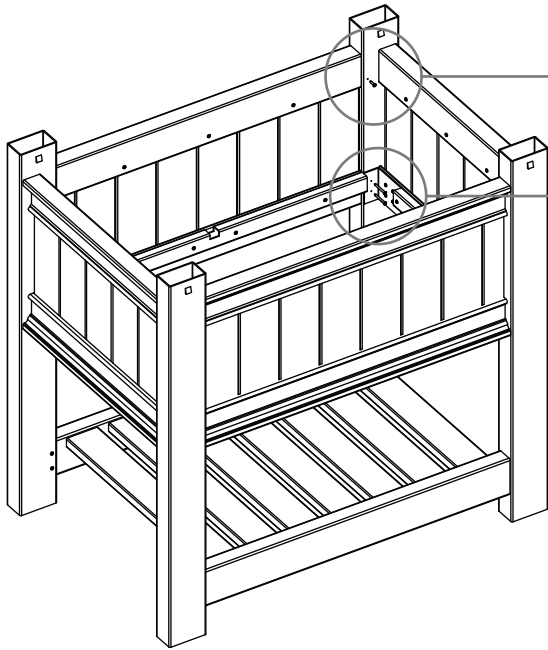
STEP ONE (CONT'D)

4

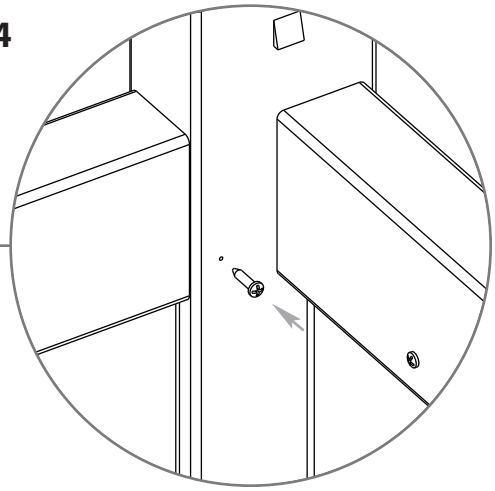
Fasten the wall panels together using 4 of the 5/8" (1.6 cm) screws provided through the pre-drilled holes on the posts as shown.

5

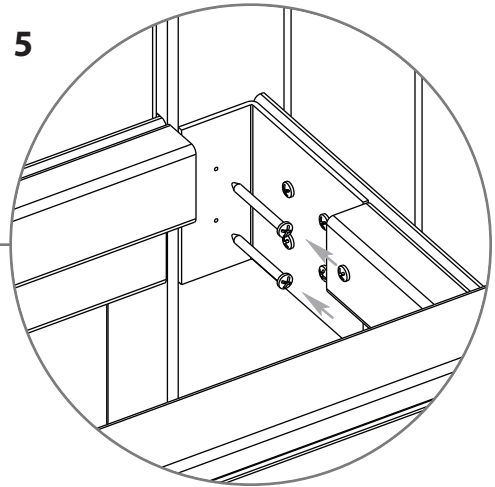
Fasten the corner brackets to the posts using 8 of the 1 1/2" (4 cm) screws provided through the pre-drilled holes on the brackets as shown.



4



5

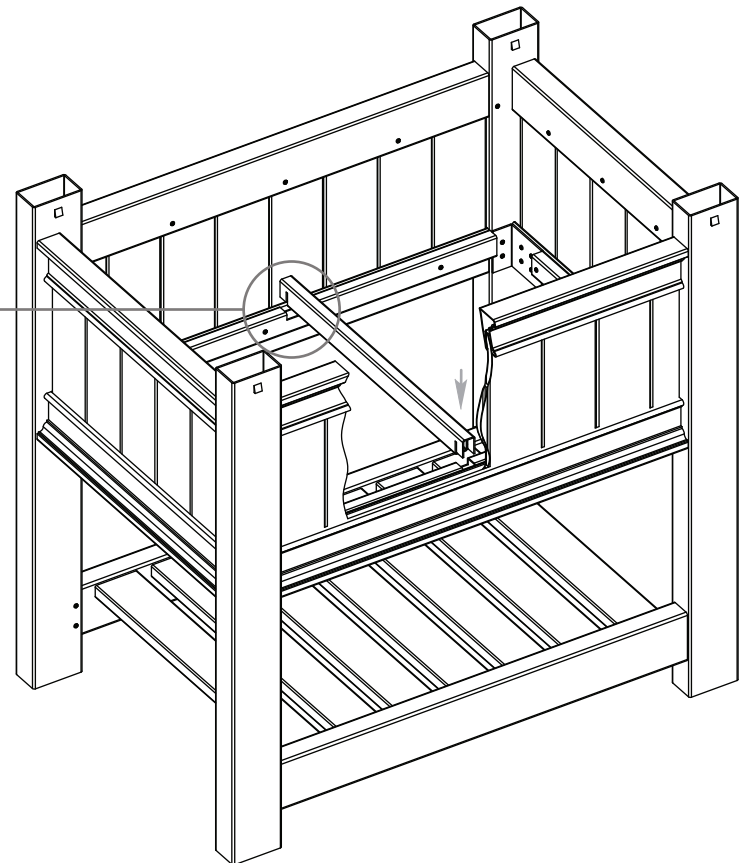
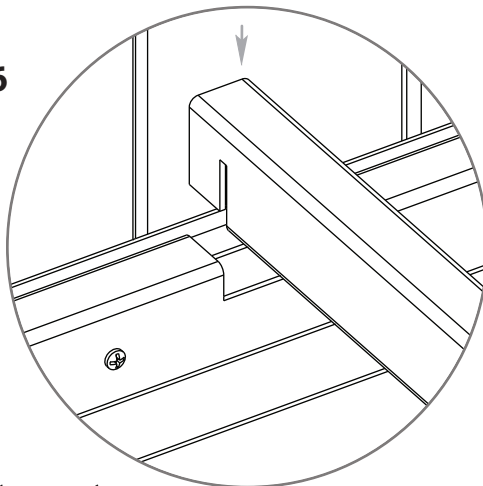


STEP TWO

6

Insert the floor support rail into the front and rear walls as shown. **Note** the notch at the ends of the floor support rail.

6



STEP TWO (CONT'D)

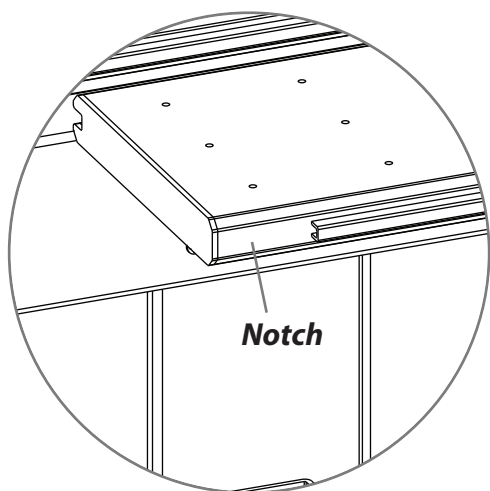
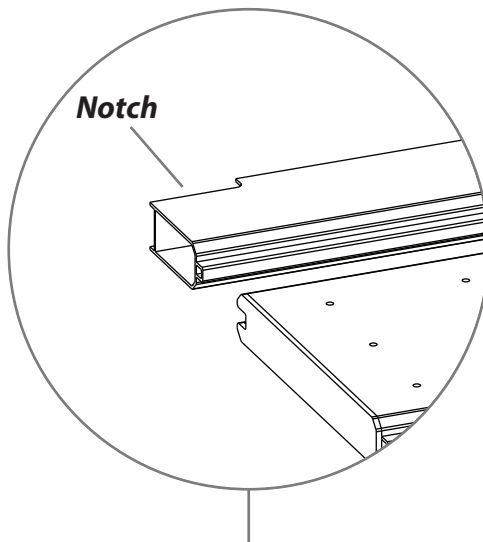
7

Place the four floor panels onto the floor supports as shown. Note the notches on the one side of the end panels. The notches are to wrap around the posts.

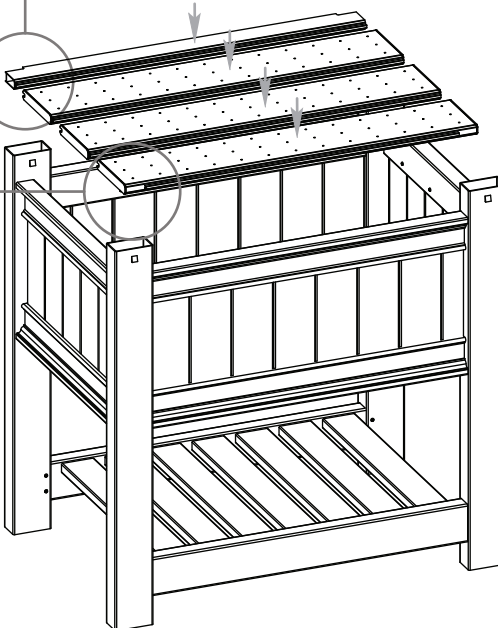
8

Pressure fit the Post Caps into place. Push firmly until they snap into place.

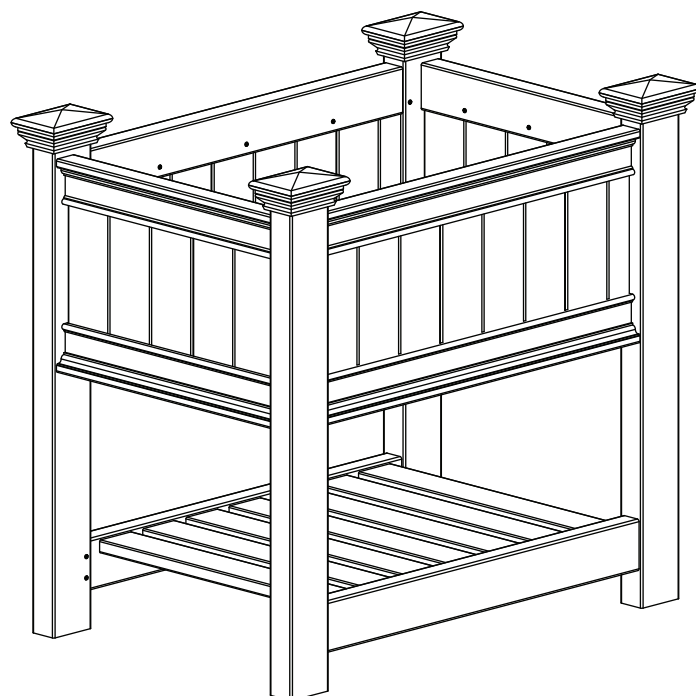
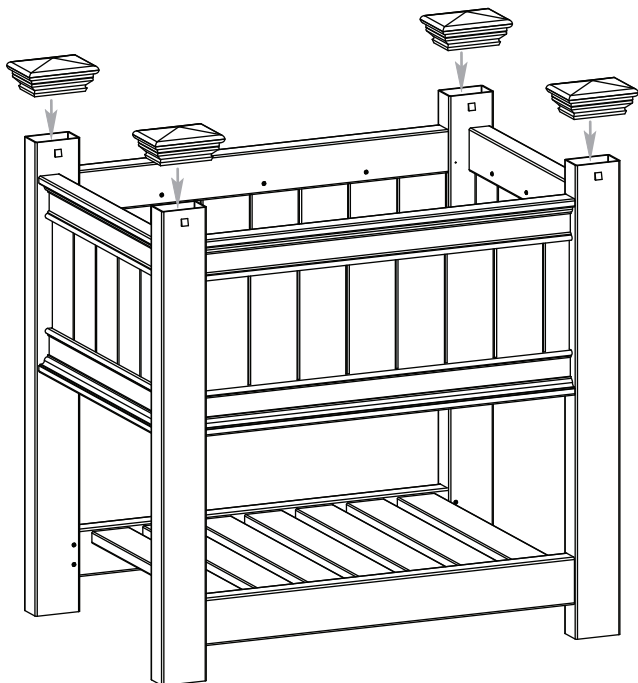
NOTE: If you purchased the Kingsrow Trellis, leave 2 Post Caps off one of the 36" (91 cm) sides to allow the trellis to be mounted.



7



8



New England
Arbors
Leadership by Design