

# ASSEMBLY INSTRUCTIONS

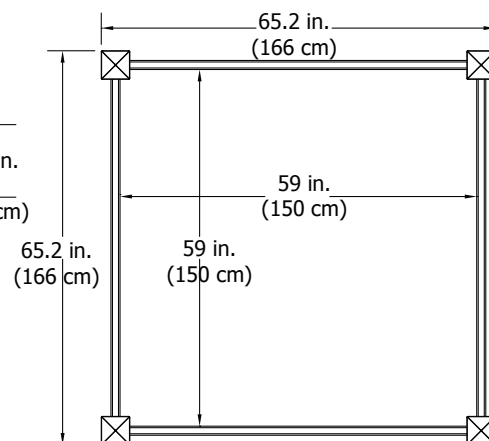
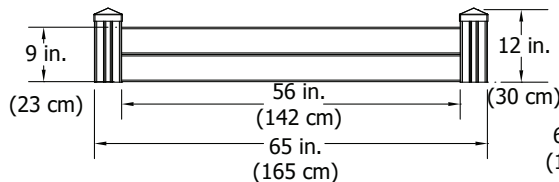
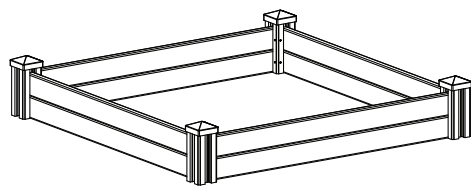
New England  
Arbors

Leadership by Design

[www.newenglandarbors.com](http://www.newenglandarbors.com)

[www.newenglandarbors.co.uk](http://www.newenglandarbors.co.uk)

## The Versailles Raised Garden Bed or Versailles Raised Garden Bed Extension Kit



*Please read through before starting assembly.*

### Check Box for These Contents

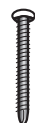
In the event of missing or defective parts please call our customer service dept. at **1 800 282 9346** (Mon. to Fri. 8:00 AM to 4:00 PM EST). (UK Tel: **(44) 2038 687160** (Mon. to Fri. 1:00 PM to 10:00 PM GMT).

1. Post with Post Caps attached (4) - **Post 10830, Cap 10832**
2. Side Panels (8) - **10831**
3. 3.5" (10 cm) Stainless Steel Screws (16) - **20039**

#### NOTE: The Versailles Raised Garden Bed Extension Kit

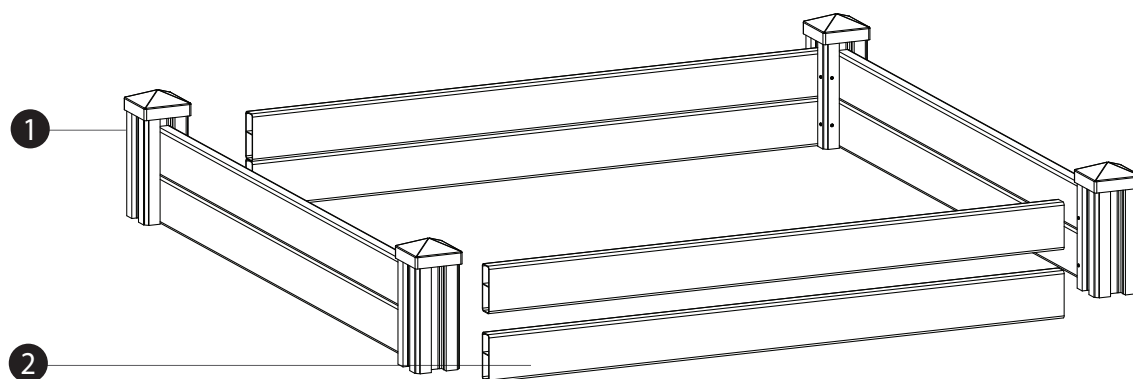
Contains the Following Parts & Quantities:

1. Post with Post Caps attached (2) - **Post 10830, Cap 10832**
2. Side Panels (6) - **10831**
3. 3.5" (10 cm) Stainless Steel Screws (12) - **20039**



3

Not to Scale



### General Information

- **Read Instructions through carefully before beginning assembly.**
- When assembling components, place on a non-abrasive surface (i.e. shipping box) to avoid scratching.
- We recommend an area approx 4'x 8' (1.2 m x 2.4 m) for unobstructed assembling.
- You should not need to use excessive force when assembling components.

# STEP ONE

## Raise Bed Installation

**1**

Build one wall by inserting two walls into the posts as shown.

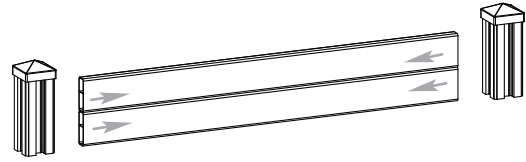
**2**

Repeat for all four walls.

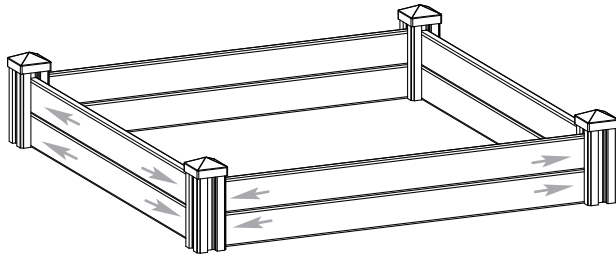
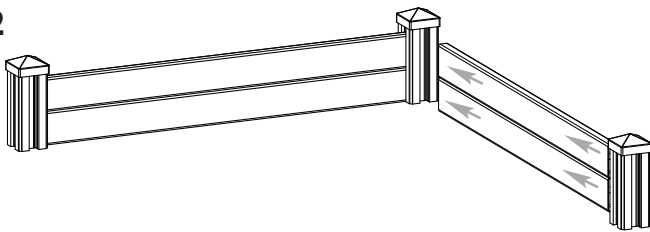
**3**

Using the screws provided, fasten the side panels to the posts. (one screw for each intersection of side panel and post) Before setting the screws, ensure the panels are fully inserted into the posts. Be sure to set the screws straight to properly lock the panels into the posts

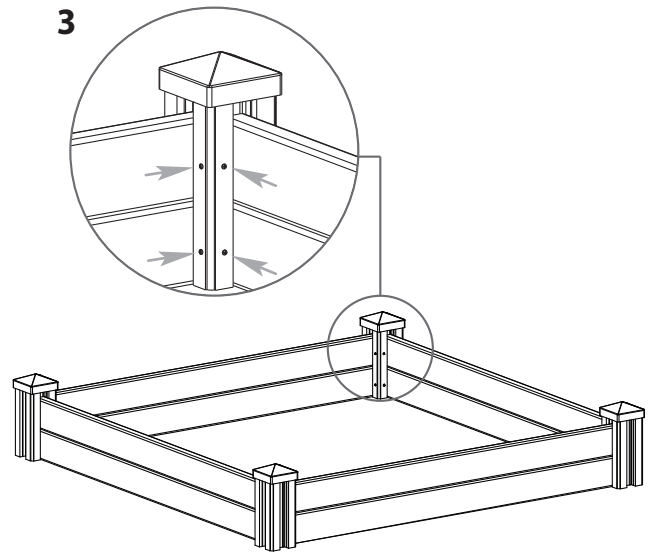
**1**



**2**



**3**



# STEP TWO

## Extension Kit Installation

**4**

If you've purchased the Extension Kit (sold separately), repeat the steps above for installing the additional panels and posts.

**4**

