

# ASSEMBLY INSTRUCTIONS

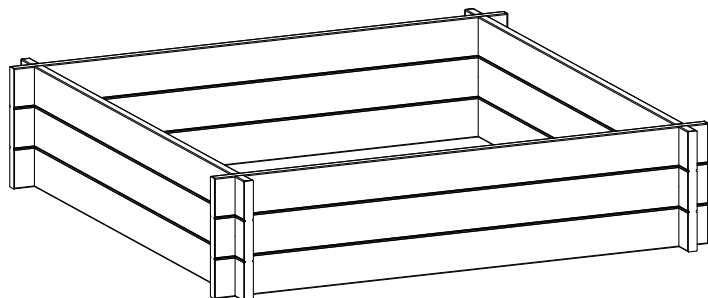
New England  
Arbors

Leadership by Design

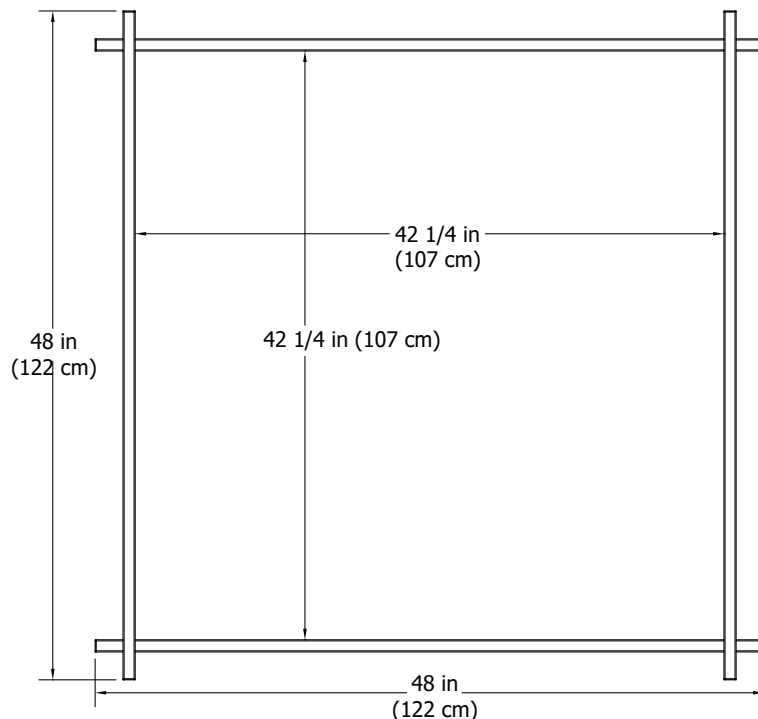
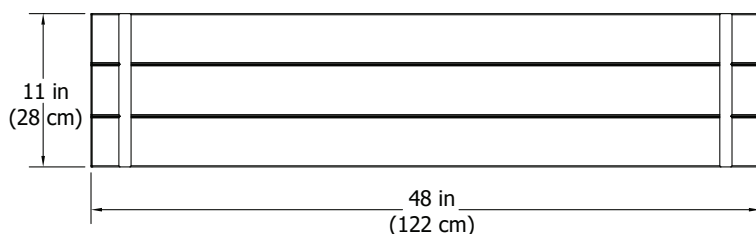
[www.newenglandarbors.com](http://www.newenglandarbors.com)

[www.newenglandarbors.co.uk](http://www.newenglandarbors.co.uk)

## Hudson 4 x 4 Modular Raised Garden Bed



**Note: Volume of Raised Garden Bed is  $\pm$  320 Liters or 11 ft<sup>3</sup>**

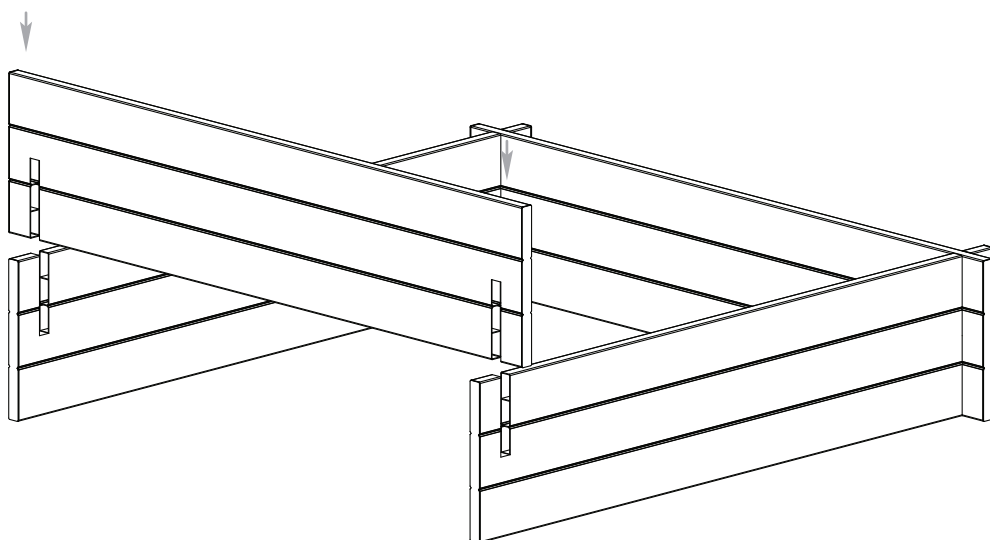


**Please read through before starting assembly.**

### Assembly Instruction

In the event of missing or defective parts please call our customer service dept. at **1 800 282 9346** (Mon. to Fri. 8:00 AM to 4:00 PM EST).  
(UK Tel: **(44) 2038 687160** (Mon. to Fri. 1:00 PM to 10:00 PM GMT).

To assemble, align and insert the four boards where they are notched as shown.



### General Information

- **Read Instructions through carefully before beginning assembly.**
- When assembling components, place on a non-abrasive surface (i.e. shipping box) to avoid scratching.
- We recommend an area approx 4' x 8' (1.2 m x 2.4 m) for unobstructed assembling.
- You should not need to use excessive force when assembling components.

Ver 1.1/072517