

STEP ONE

Privacy Screen Assembly

1

Layout the horizontal spindles with all the routed holes inline as shown and insert the 11 vertical spindles through them.

2

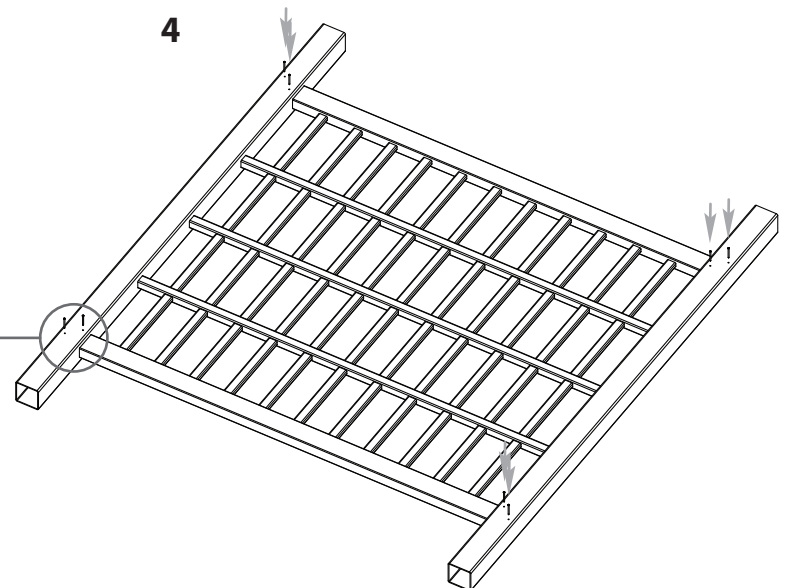
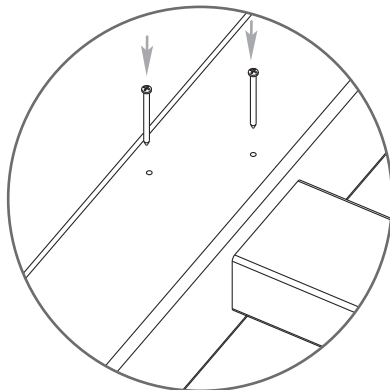
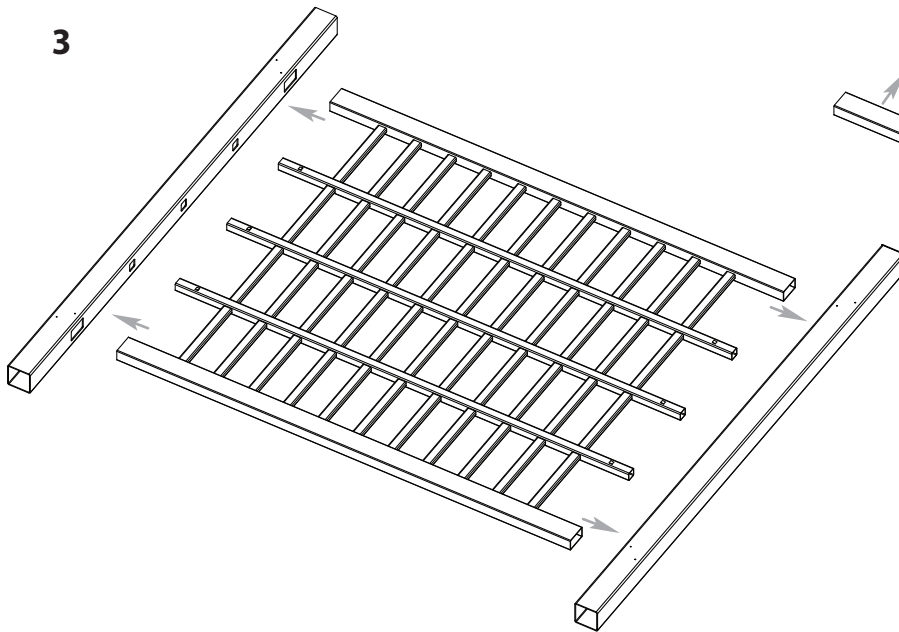
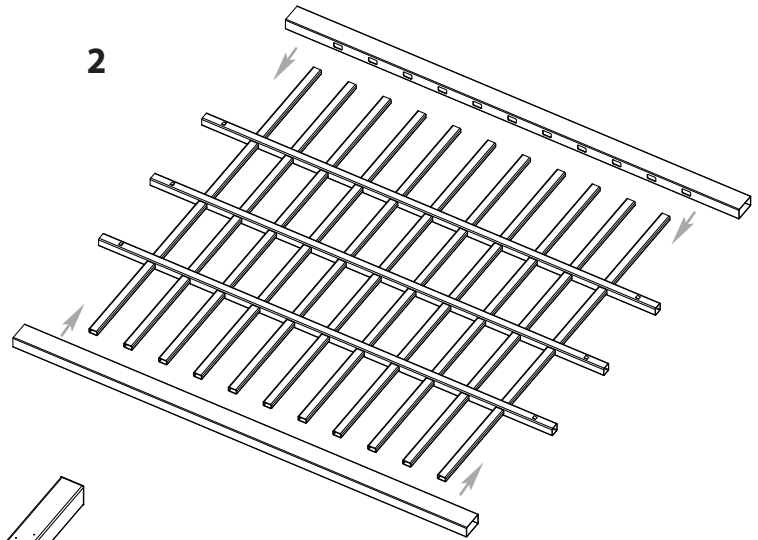
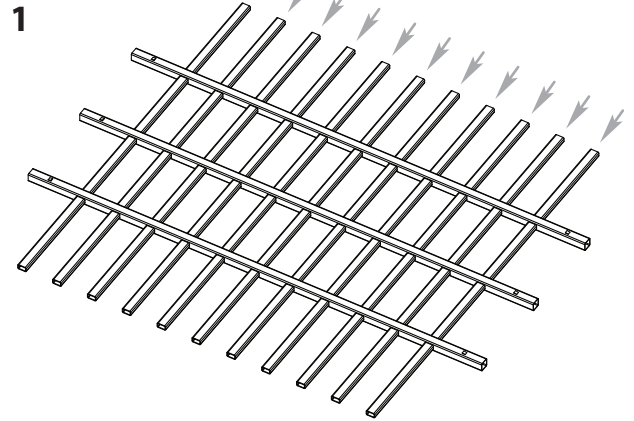
Insert the two horizontal rails onto the vertical spindles as shown. Excessive force should not be used.

3

Finish the assembly by inserting the two posts onto the rail ends as shown. Note the tabs on the horizontal spindles; once inserted, the spindles will lock into place.

4

Fasten the posts onto the horizontal rails using a total of eight screws through the pre-drilled holes on the post.



STEP TWO

1

Slide the two post trim caps down the post as shown, followed by the two post caps. The trim caps can sit on the horizontal rail for now and the post cap pressure-fits into place.

2

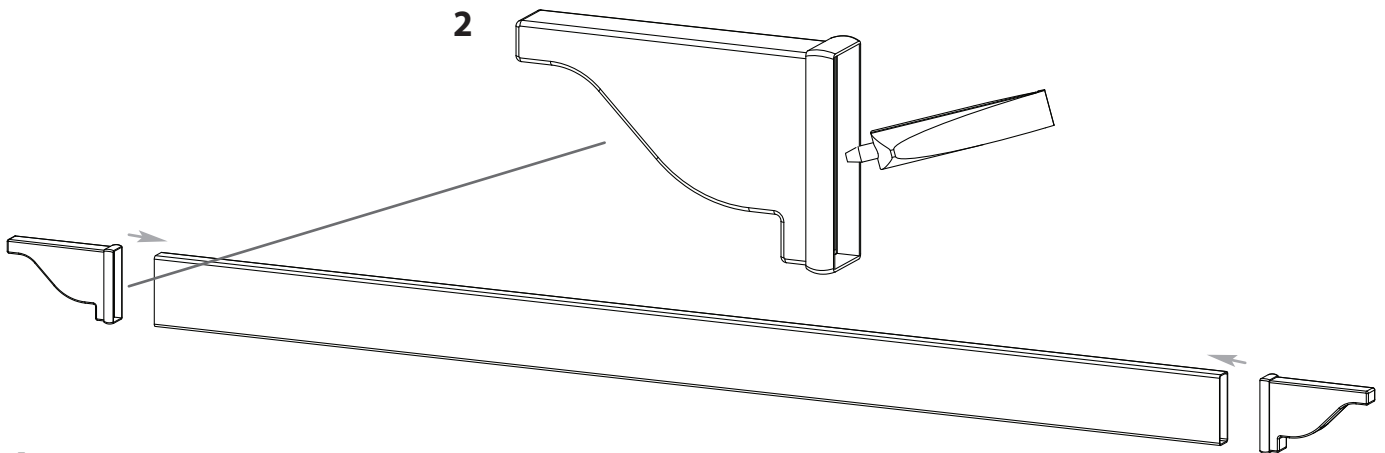
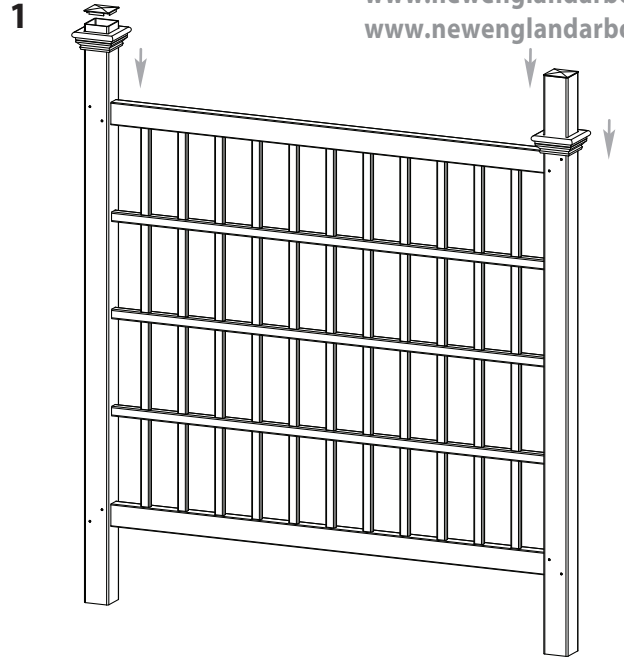
Apply a small amount of glue to the inside of the end cap as shown and insert onto the beam. Allow 30 seconds for the glue to set and a few more minutes to cure.

3

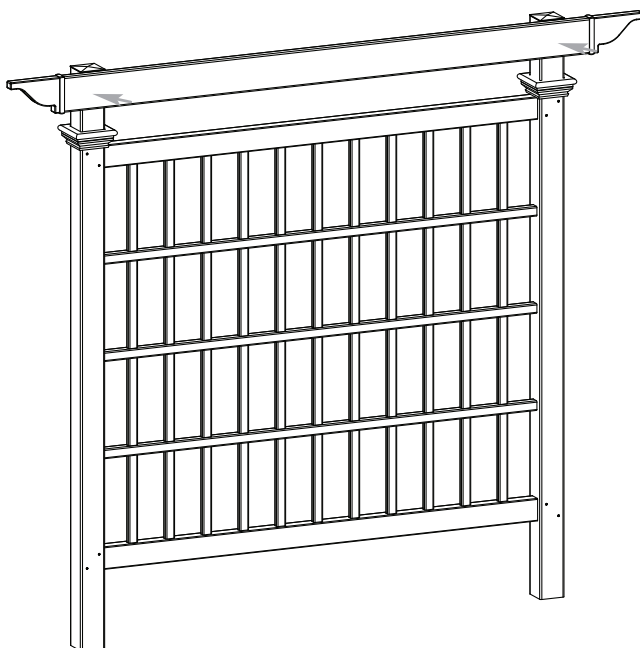
Repeat for second beam.

4

With a helper, align one of the beam against the posts as shown. The top of the beam should be at the same level as the bottom of the post caps and the overhang should be equal on both ends.



4



Equal Overhang



Equal Overhang



STEP THREE

1

Fasten the beam onto the posts using eight screws as shown (four at each post).

2

Repeat steps for the second beam.

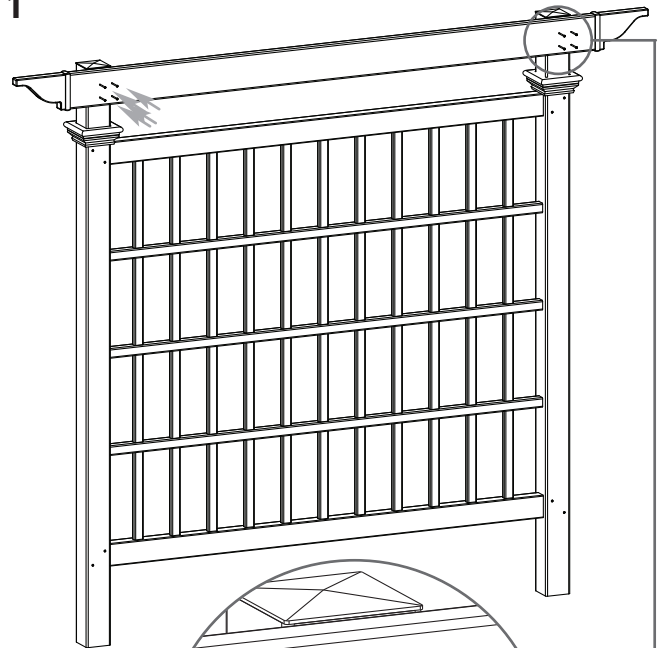
3

Apply a small amount of glue around the post approximately 1 inch (2.5 cm) below the beams as shown.

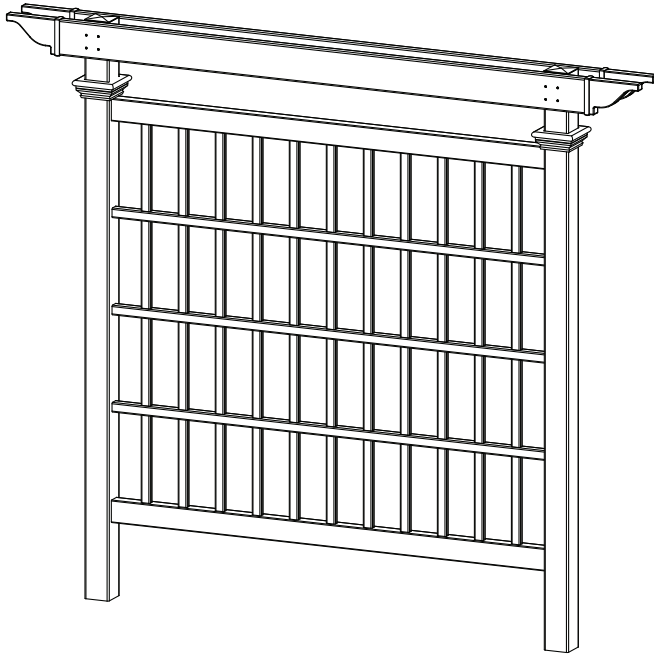
4

Slide the post trim caps against the beam and hold for 30 seconds until the glue sets.

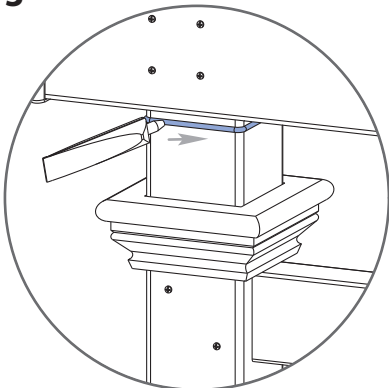
1



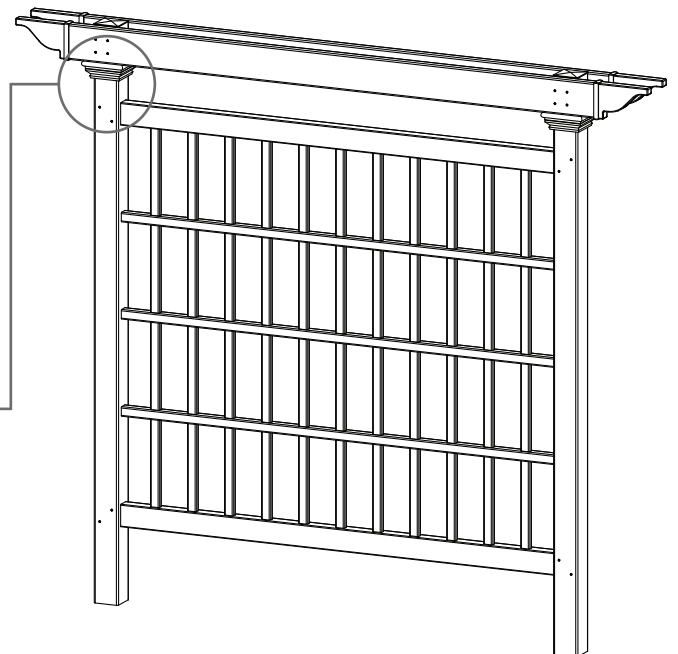
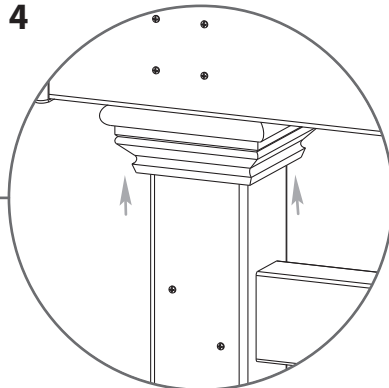
2



3



4



STEP FOUR

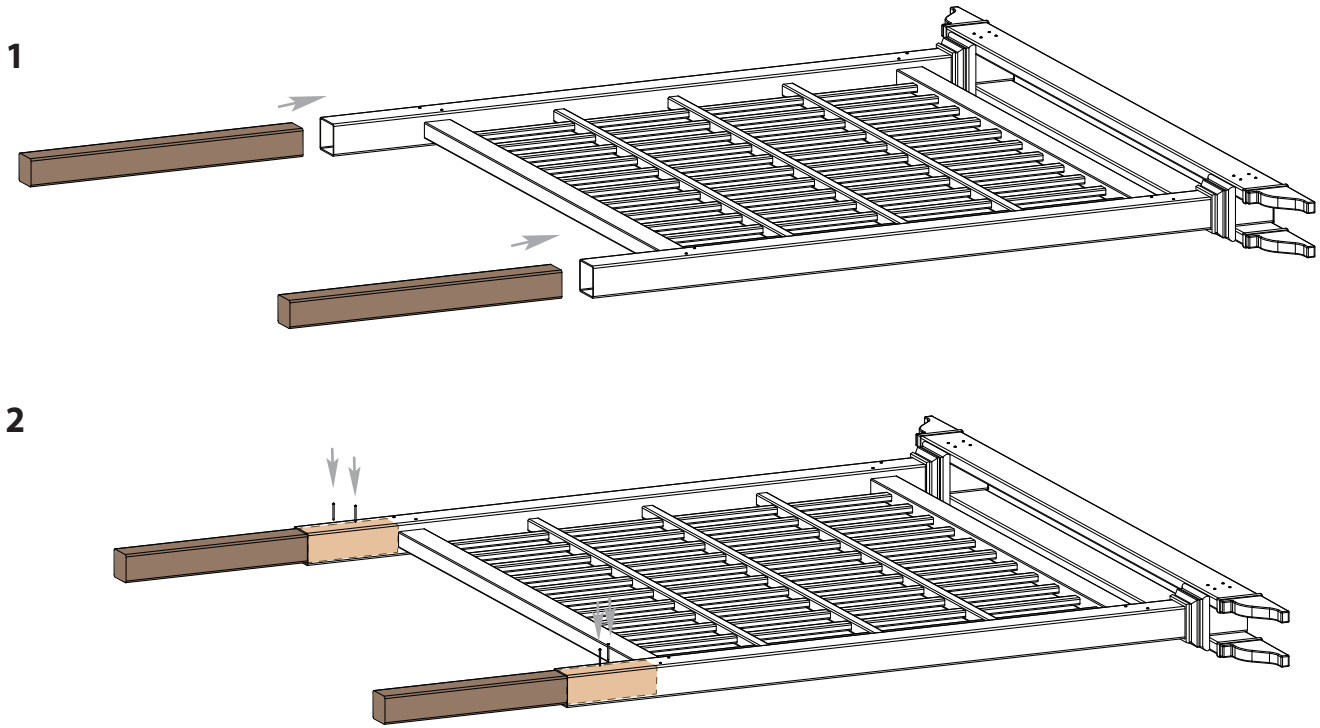
Wooden Posts Installation

1

Insert the two 4x4x36" (10 x10 x 91 cm) pressure treated wood posts into the bottom of the vinyl post until it bottoms out against the horizontal rail.

2

Fasten with two screws each (not included).

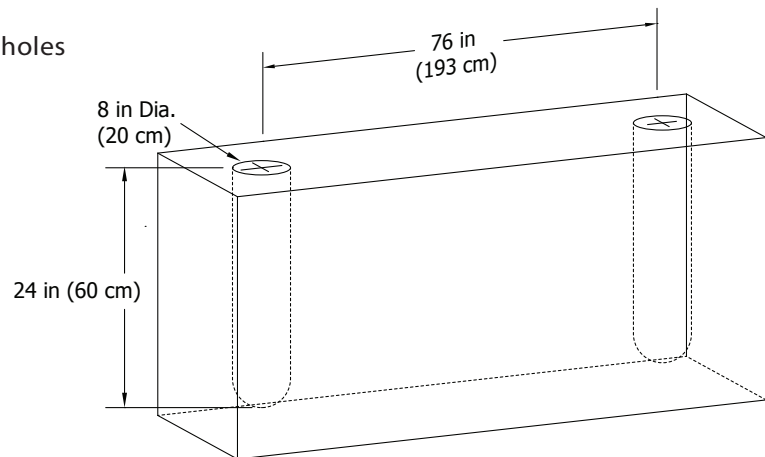


STEP FIVE

Install Privacy Screen into Ground

1

Dig two, 8" (20 cm) Diameter x 24" (60 cm) Deep holes on 76" (193 cm) Centers



STEP FIVE

1

With a helper, place the privacy screen posts into the holes and level it both vertically and horizontally.

Note: for asthetics purposes, the screws on the posts should be facing away.

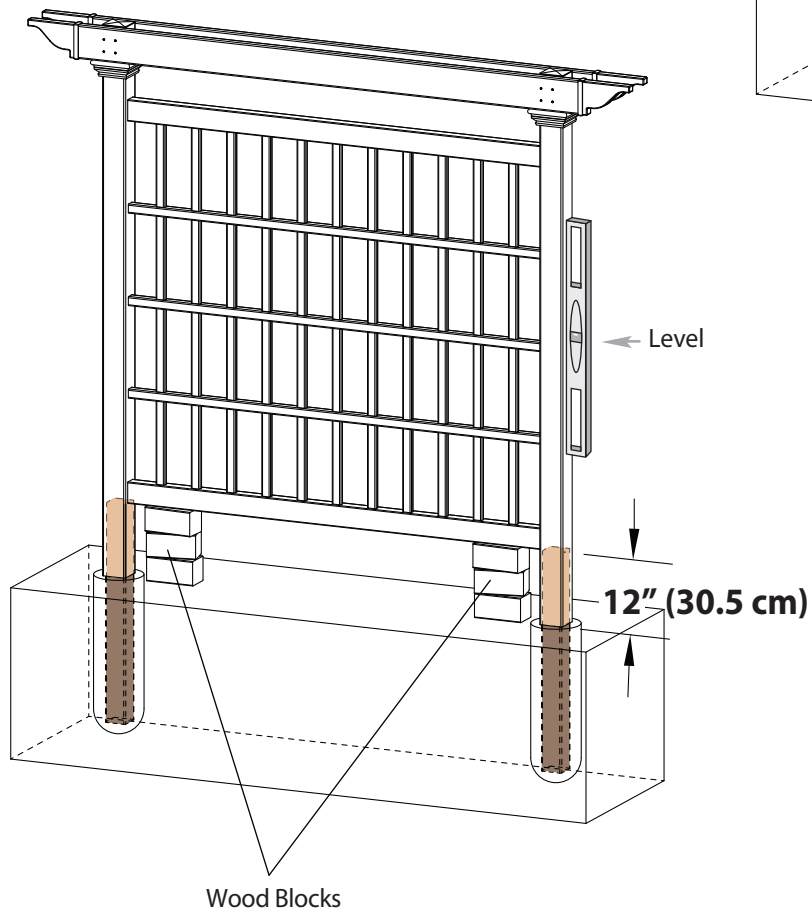
2

To prevent the privacy screen from "sinking", place a few blocks of wood below the bottom horizontal rail. The bottom horizontal rail should be 12" (30.5 cm) off the ground.

3

Backfill the holes with cement and allow it to set and cure.

2



1

