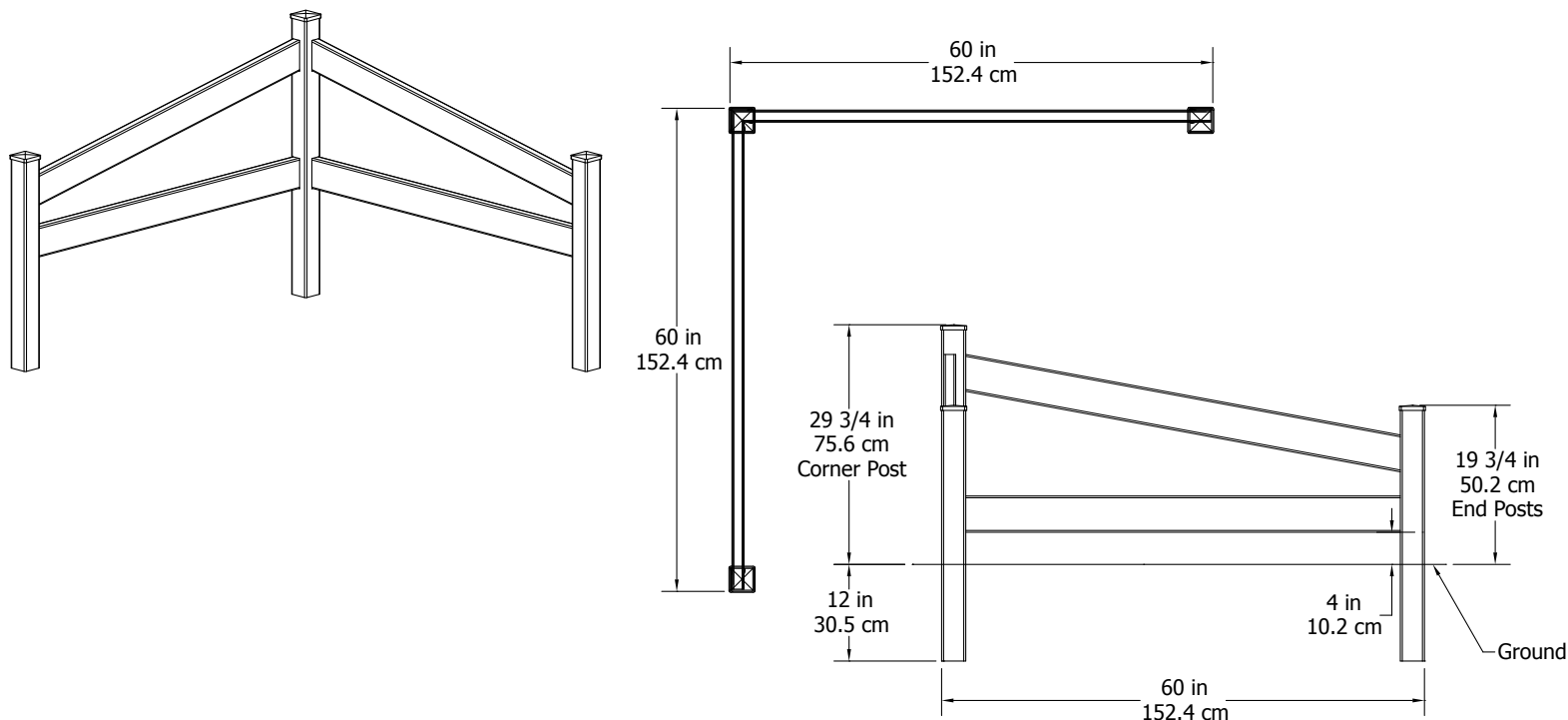


ASSEMBLY INSTRUCTIONS

Split Rail Corner Fence



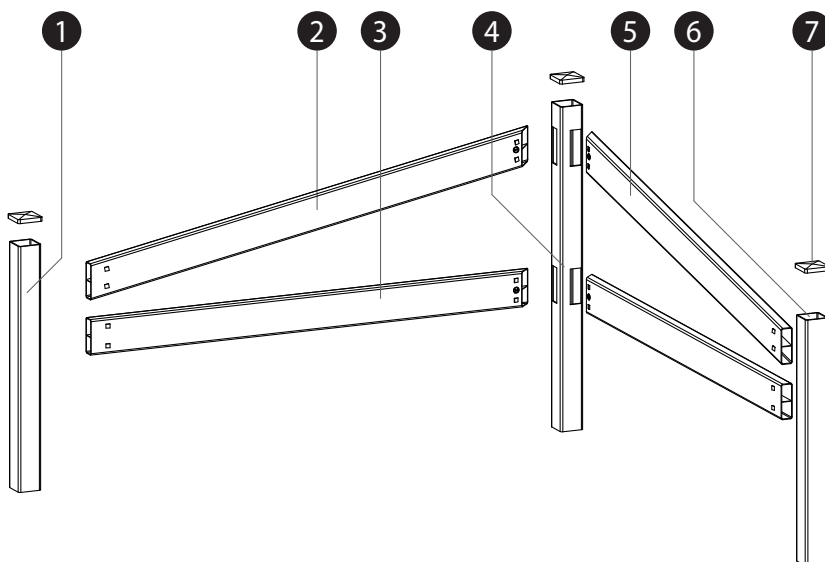
Please read through before starting assembly.

IMPORTANT: CHECK THE INSIDE OF YOUR POSTS FOR ALL MATERIALS.

Check Box for These Contents

In the event of missing or defective parts please call our customer service dept. at **1 800 282 9346** (Mon. to Fri. 8:00 AM to 4:00 PM EST) or UK Tel: **(44) 2038 687160** (Mon. to Fri. 1:00 PM to 10:00 PM GMT).

1. Post - Left (1) - 3" x 3" x 31 1/8" (7.6x7.6x79.1cm) - 11129
2. Top Rail - Left (1) - 1 1/2" x 4 1/2" x 61 1/4" (3.8x11.4x155.6cm) - 11130
3. Bottom Rails (2) - 1 1/2" x 4 1/2" x 59 1/2" (3.8x11.4x151.1cm) - 11131
4. Post - Corner (1) - 3" x 3" x 41 1/8" (7.6x7.6x104.5cm) - 11132
5. Top Rail - Right (1) - 1 1/2" x 4 1/2" x 61 1/4" (3.8x11.4x155.6cm) - 11133
6. Post - Right (1) - 3" x 3" x 31 1/8" (7.6x7.6x79.1cm) - 11134
7. Post Caps (3) - 10766



Material You May Need (Not Included; for a permanent installation):

- 3 Bags of concrete mix
(if setting split rail fence in concrete footings)

Tools You Will Need

- Tape Measure
- Level
- Shovel

General Information

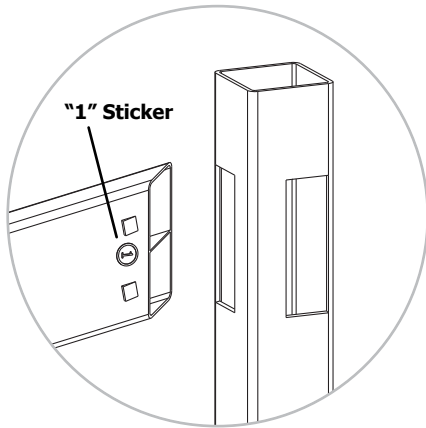
- Read Instructions through carefully before beginning assembly.
- When assembling components, place on a non-abrasive surface (i.e. shipping box) to avoid scratching.
- We recommend an area approx 10'x 8' (3m x 2.4m) for unobstructed assembling.
- You should not need to use excessive force when assembling components.

STEP ONE

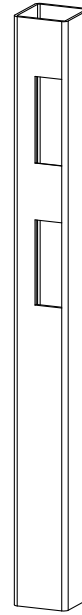
Split Rail Fence Assembly

1

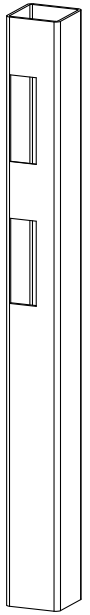
Insert the Top Left Rail and one of the Bottom Rails into the corner post as shown. Note the numbered stickers on the rails - they are to match and meet inside the corner post as shown.



1

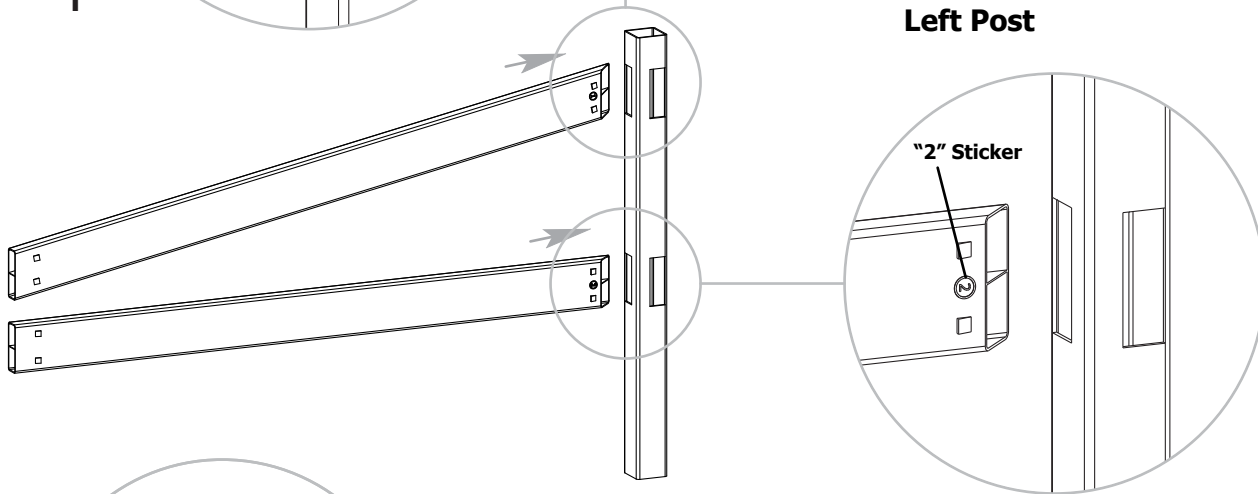


Left Post

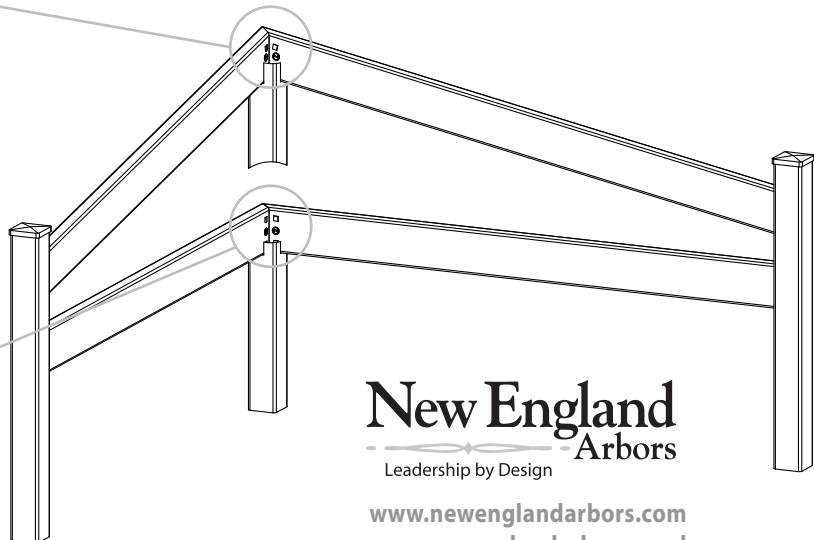
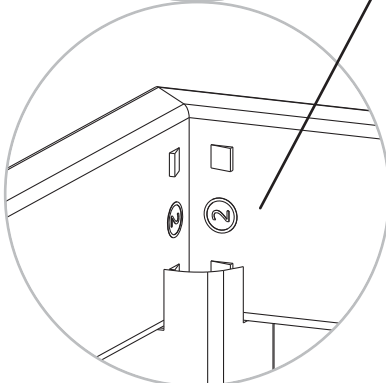
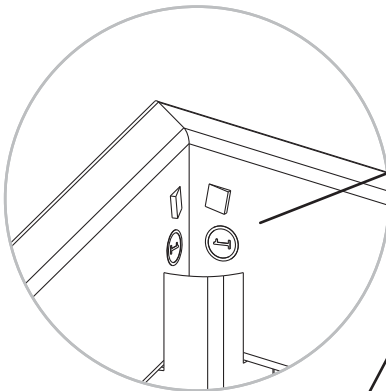


Right Post

Important: Note the offset position of the routed holes on the Left and Right Posts.



Once assembled, each pair of numbered rail will end up inside the corner post as shown.



New England
Arbors
Leadership by Design

www.newenglandarbors.com
www.newenglandarbors.co.uk

STEP ONE

Split Rail Fence Assembly (Continued)

2

Insert the two rails into the Left Post as shown. Note the difference between the Left and the Right post. The two posts can be distinguished by looking directly at the routed holes; the Left post routed holes are offset to the right and the Right post routed holes are offset to the left. See illustration for reference.

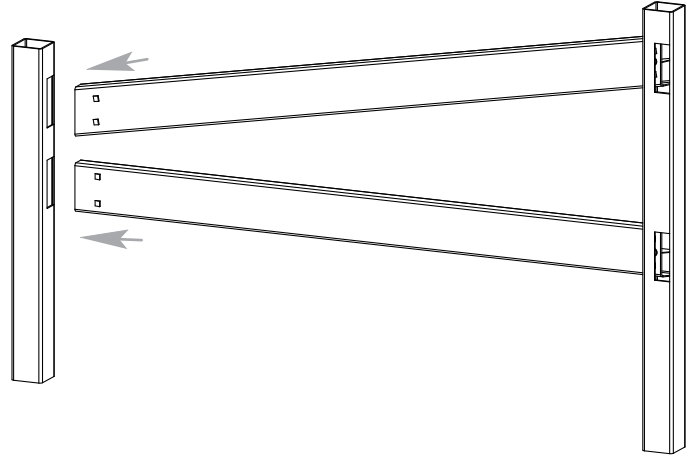
3

Insert the Top Right Rail and the second Bottom Rail into the corner post as shown. Again, note the numbered stickers on the rails.

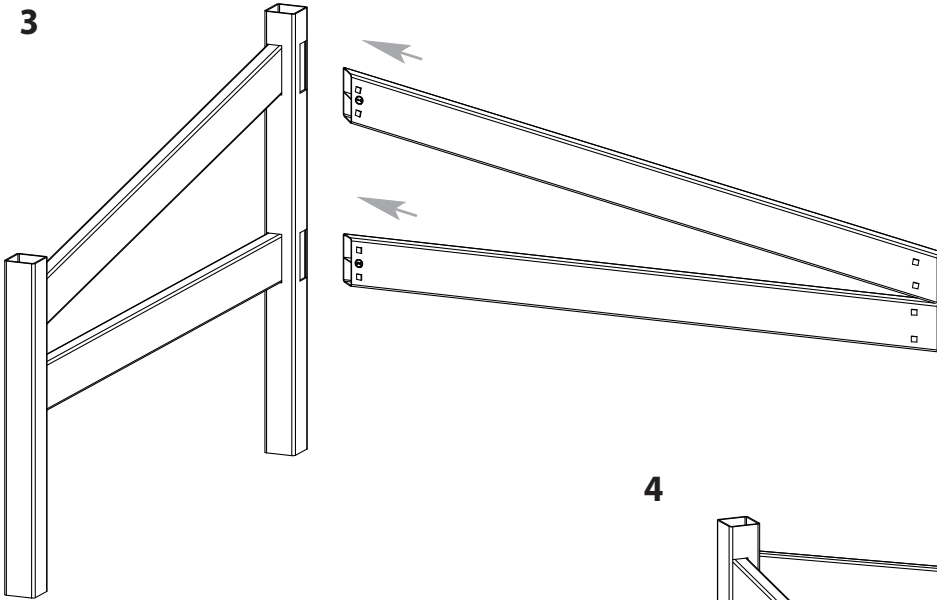
4

Finally, insert the two rails into the Right Post as shown.

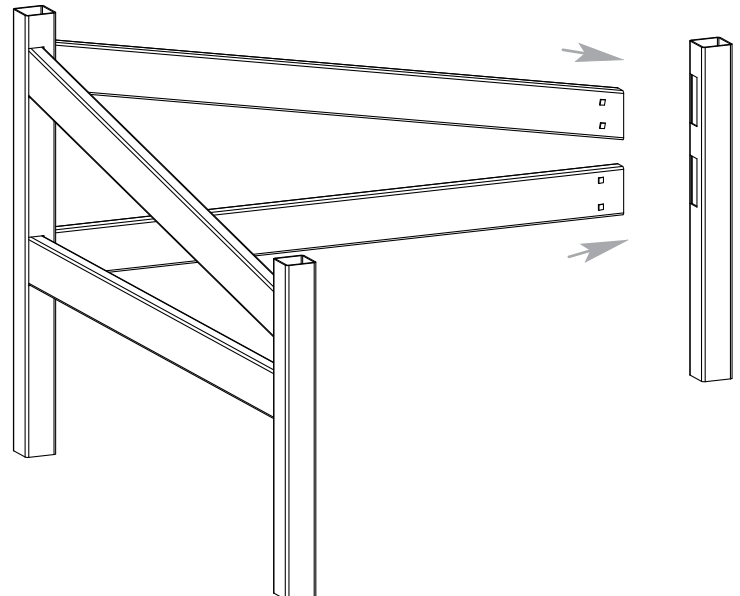
2



3



4



STEP TWO

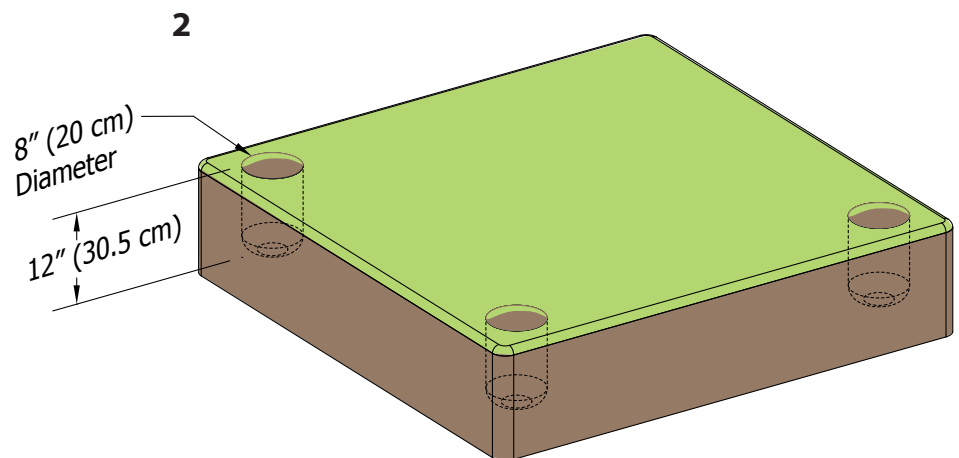
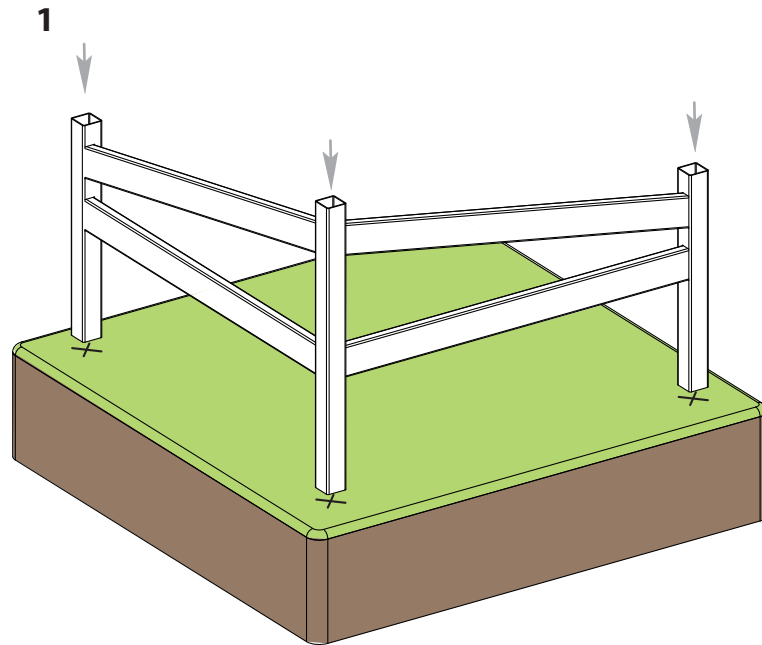
Split Rail Fence Installation

1

Position the rail fence assembly to its final location and mark the three post locations.

2

Excavate three, 8" (20cm) diameter, 12" (30.5cm) deep holes as shown.



STEP TWO

Rail Fence Installation (Continued...)

3

With a helper, carefully lower the rail fence assembly into the holes.

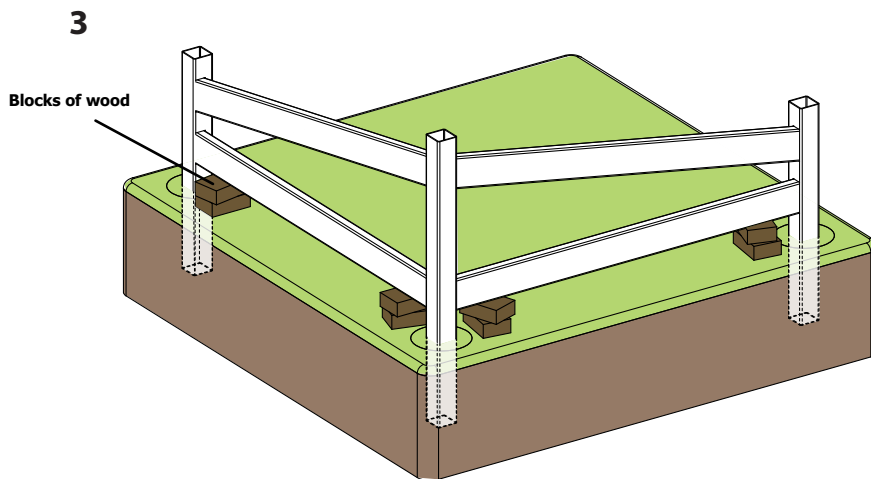
Using blocks of wood or something similar, place the rail fence assembly such that it is approximately 4" (10.2cm) off the ground as shown.

Backfill holes with excavated dirt and check for level.

Note: For a more permanent installation, you may choose to use concrete instead of dirt. Follow the instructions on the bag of concrete and backfill each of the holes accordingly.

4

Pressure fit the three post caps onto the posts as shown.



4

