

# ASSEMBLY INSTRUCTIONS

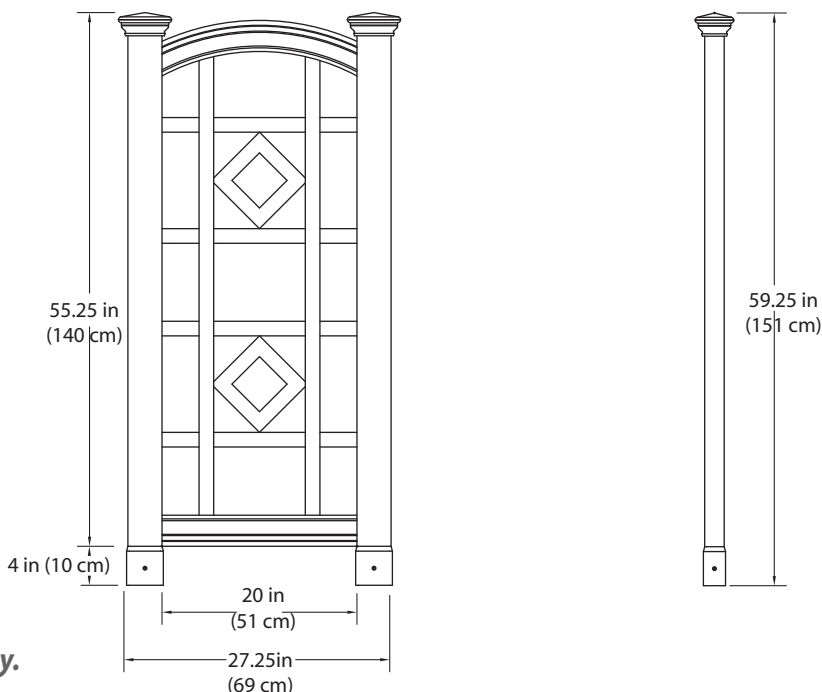
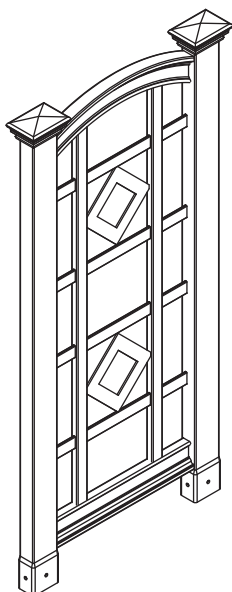
New England  
Arbors

Leadership by Design

www.newenglandarbors.com

www.newenglandarbors.co.uk

## The Milan Trellis



Please read through before starting assembly.

**IMPORTANT: CHECK THE INSIDE OF YOUR POSTS FOR ALL MATERIALS.**

### Check Box for These Contents

In the event of missing or defective parts please call our customer service dept. at **1 800 282 9346** (Mon. to Fri. 8:00 AM to 4:00 PM EST).

(UK Tel: **(44) 2038 687160** (Mon. to Fri. 1:00 PM to 10:00 PM GMT).

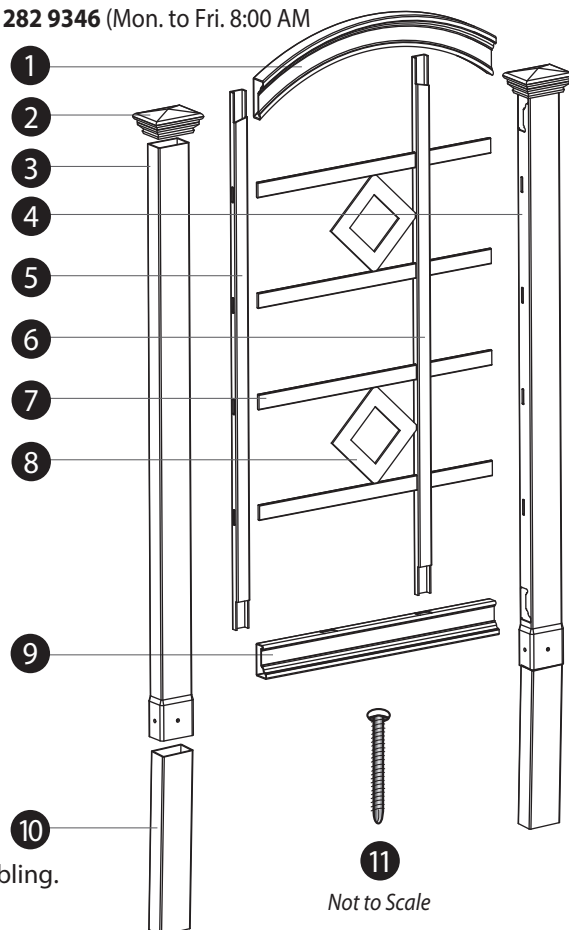
1. Arched Top Rail (1) - 10643-1
2. Post Caps (2) - 10611
3. Posts Left (1) - 10629
4. Posts Right (1) - 10630
5. Vertical Spindle Left (1) - 10631
6. Vertical Spindle Right (1) - 10632
7. Horizontal Spindles (4) - 10633
8. Diamonds (2) - 10646-1
9. Bottom Rail (1) - 10635
10. Ground Mounting Extensions (2) - 10636-1
11. 5/8" (16 mm) Self-Auguring Stainless Steel Screw (12) - 20016

### Tools You Will Need

- Cordless Drill
- Hammer
- Tape Measure
- Level
- Shovel

### General Information

- Read Instructions through carefully before beginning assembly.
- When assembling components, place on a non-abrasive surface (i.e. shipping box) to avoid scratching.
- We recommend an area approx 5'x 8' (1.5m x 2.4 m) for unobstructed assembling.
- You should not need to use excessive force when assembling components.



V2.2/022120

## STEP ONE

### Assemble the Side Panels

**NOTE:** There are locking tabs located at the ends of the horizontal rails. Once inserted and pushed into the routed holes, they will lock into place.

**1**

Layout the horizontal bottom rail and insert the two long vertical spindles. Ensure the routed holes on the spindles are orientated correctly to eventually receive diamonds (see Figure 1). **The spindles are identified inside the notch at the top with either the letter L for Left or R for Right.**

**2**

Install the arched top rail over the ends of the vertical spindles ensuring the architectural detail faces out (same as bottom rail).

**3**

Insert the four horizontal spindles ensuring that the routed holes on the spindles are **positioned to accept the diamonds** (see Figure 2).

**4**

Pressure fit the diamonds into the square area designated by tensioning into the horizontal and vertical routed holes (four points of contact).

**5**

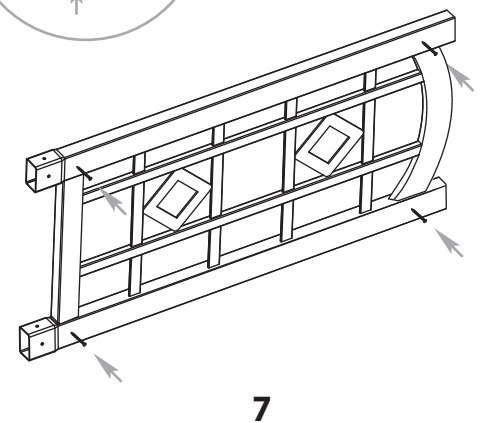
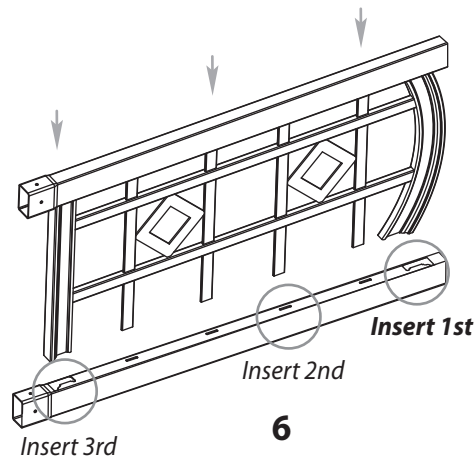
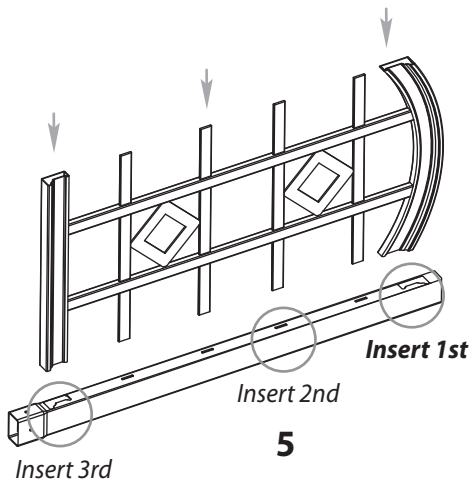
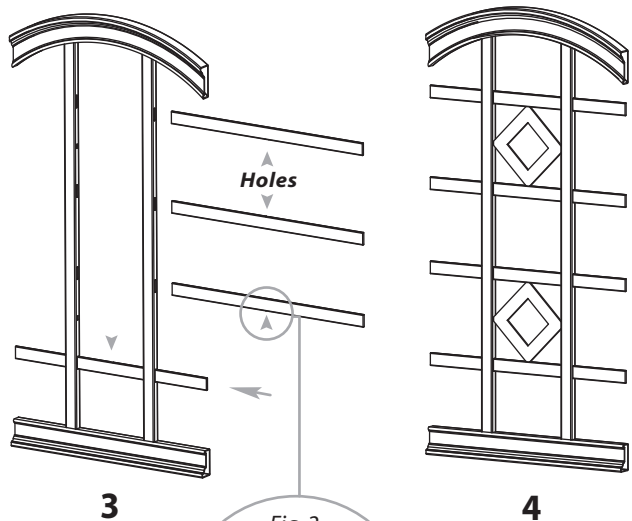
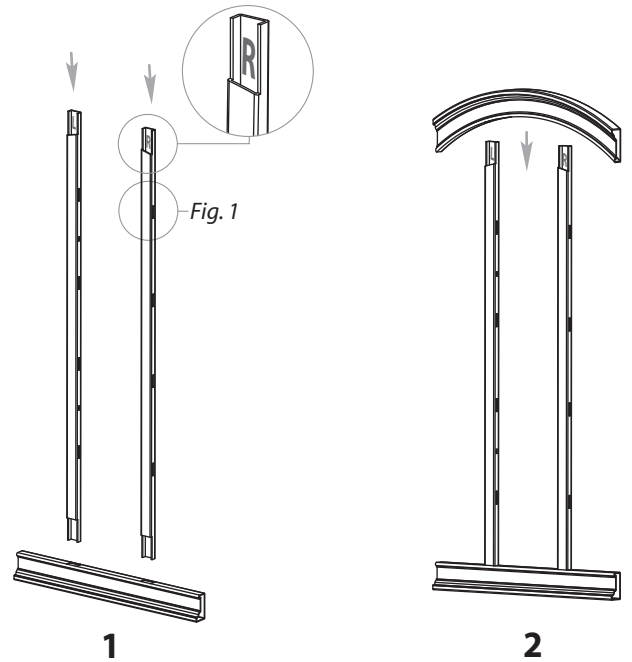
Set out one post and complete the side panel by inserting it into the post. **Start with the bent top rail first.**

**6**

Lay out the second post with holes facing upwards and insert the completed panel and connected post.

**7**

Flip the trellis over and install screws into the intersection of the posts and the two rails as shown. This will lock the horizontal rails into the vertical post.



## Mounting Into the Ground

Trellises must be well secured in the event of high winds, etc. We have provided two ground mounting extensions for securing the privacy screen either into the ground or into a concrete footing. If you are installing your trellis directly to the wall of your home, or on a wood deck or concrete surface, please see your hardware store for the appropriate galvanized bracket hardware.

### STEP TWO

#### Install the Ground Mounting Extensions

Insert the ground mounting extensions into the bottom of the privacy screen posts. Secure with screws into the four pre-drilled holes.

### STEP THREE

#### Install Trellis into Ground

**A**

Move the trellis to its final location. When you are satisfied with the location, mark the positions of the posts, then move the trellis aside and lay it carefully on it's side. Excavate the 2 post holes approximately 18" (46 cm) deep x 6" (15 cm) diameter. Carefully move the trellis back into position.

**B**

Level it both vertically and horizontally into the excavated holes.

**C**

Backfill the holes with the excavated soil.

### STEP FOUR

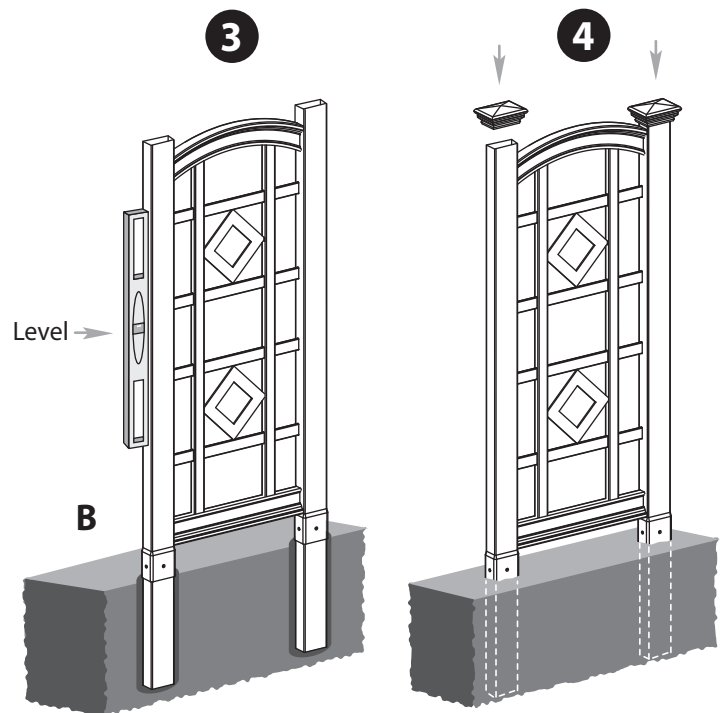
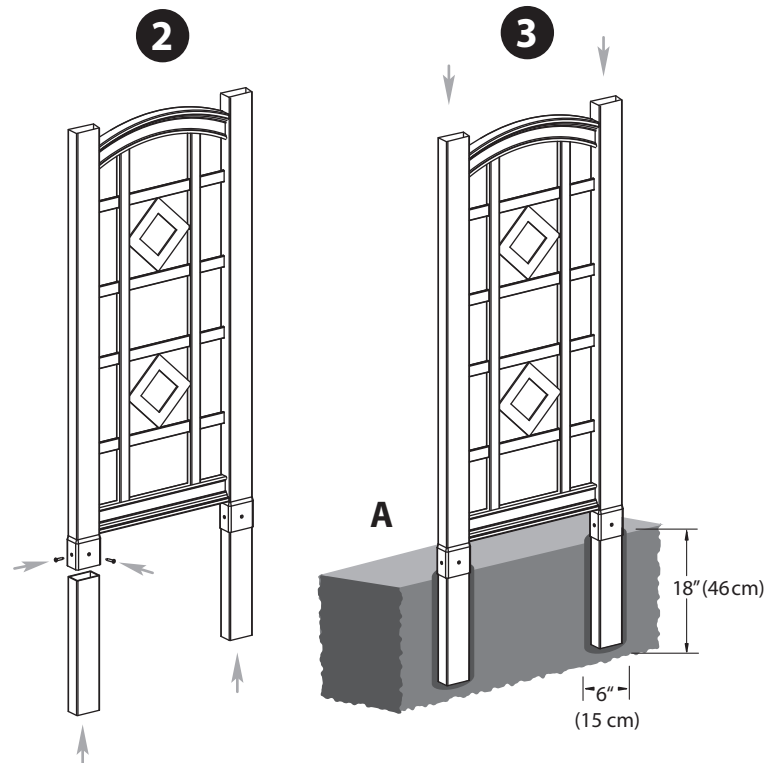
#### Install the Post Caps

### OPTIONAL

#### Mounting to Barcelona Planter Box

*(Purchase Separately)*

Please see instructions illustrated with the planter box.



**New England**  
Arbors  
Leadership by Design